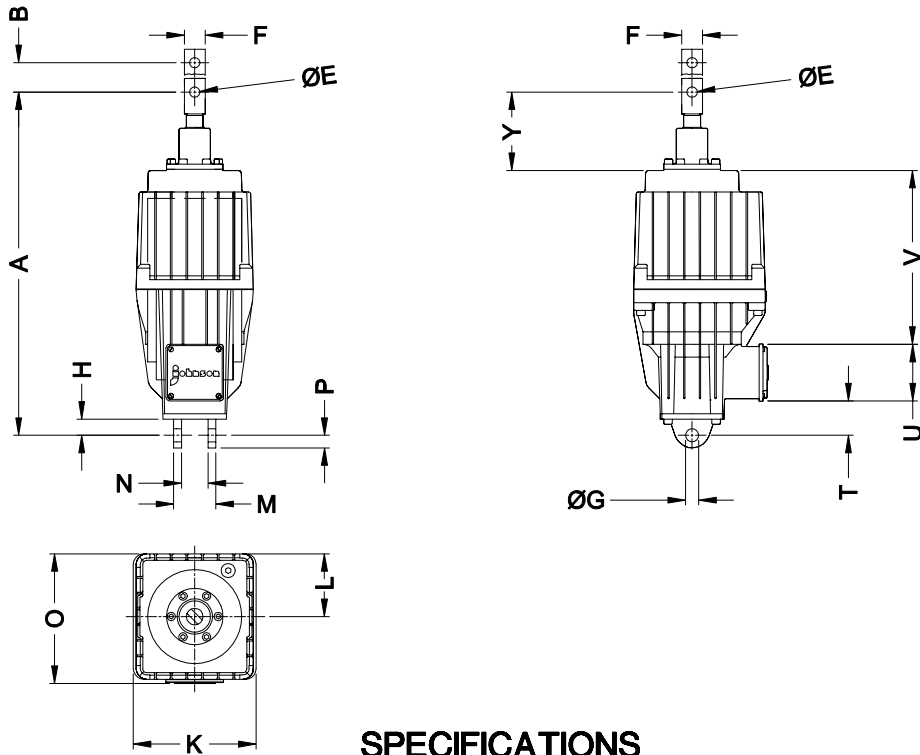


EJ THRUSTER DATA SHEET



SPECIFICATIONS

| BRAKE CODE | LIFTING FORCE (20°C) N | STROKE mm | INTERNAL SPRING FORCE N | POWER (20°C) W | CURRENT (400V) A | MAX. CYCLES PER HOUR (50°C-Max.) | MAX. ROOM TEMP. C | WEIGHT Kg. | METRIC DIMENSIONS (mm.) as DIN 15435 | | | | | | | | | | | | | | | | |
|------------|---------------------------|--------------|----------------------------|-------------------|---------------------|----------------------------------|----------------------|---------------|--------------------------------------|-----|----|----|----|----|-----|-----|-----|----|-----|----|----|-----|-------|------|--|
| | | | | | | | | | A | B | ØE | F | ØG | H | K | L | M | N | O | P | T | U | V | Y | |
| EJ 015/05 | 160 | 50 | 100-150 | 140 | 0.36 | 2000 | 50 | 9 | 280 | 50 | 12 | 20 | 12 | 17 | 144 | 72 | 62 | 30 | 190 | 14 | 16 | 110 | 128.5 | 25.5 | |
| EJ 023/05 | 220 | 50 | 155-245 | 160 | 0.5 | 2000 | 50 | 11 | 286 | 50 | 12 | 20 | 16 | 18 | 160 | 80 | 80 | 40 | 198 | 16 | 17 | 110 | 133.5 | 25.5 | |
| EJ 030/05 | 300 | 50+5 | 240-450 | 195 | 0.5 | 2000 | 50 | 15 | 370 | 50 | 16 | 25 | 16 | 18 | 160 | 80 | 80 | 40 | 198 | 16 | 17 | 110 | 206 | 37 | |
| EJ 050/06 | 500 | 60+5 | 430-550 | 210 | 0.5 | 2000 | 50 | 25 | 435 | 60 | 20 | 30 | 20 | 23 | 190 | 95 | 120 | 60 | 241 | 22 | 29 | 110 | 255 | 41 | |
| EJ 050/12 | 500 | 120 | - | 210 | 0.5 | 2000 | 50 | 28 | 515 | 120 | 20 | 30 | 20 | 23 | 190 | 95 | 120 | 60 | 241 | 22 | 29 | 110 | 335 | 41 | |
| EJ 080/06 | 800 | 60+5 | 700-900 | 320 | 1.2 | 2000 | 50 | 26 | 450 | 60 | 20 | 30 | 20 | 23 | 190 | 95 | 120 | 60 | 241 | 22 | 29 | 110 | 255 | 56 | |
| EJ 080/12 | 800 | 120 | - | 320 | 1.2 | 2000 | 50 | 29 | 530 | 120 | 20 | 30 | 20 | 23 | 190 | 95 | 120 | 60 | 241 | 22 | 29 | 110 | 335 | 56 | |
| EJ 121/06 | 1250 | 60+10 | 1000-1400 | 320 | 1.2 | 2000 | 50 | 43 | 645 | 60 | 25 | 40 | 25 | 31 | 240 | 112 | 90 | 40 | 258 | 24 | 65 | 110 | 332 | 138 | |
| EJ 121/12 | 1250 | 120 | - | 320 | 1.2 | 1250 | 50 | 44 | 705 | 120 | 25 | 40 | 25 | 31 | 240 | 112 | 90 | 40 | 258 | 24 | 65 | 110 | 332 | 198 | |
| EJ 201/06 | 2000 | 60+10 | 1720-2200 | 450 | 1.3 | 2000 | 50 | 43 | 645 | 60 | 25 | 40 | 25 | 31 | 240 | 112 | 90 | 40 | 258 | 24 | 65 | 110 | 332 | 138 | |
| EJ 201/12 | 2000 | 120 | - | 450 | 1.3 | 1250 | 50 | 44 | 705 | 120 | 25 | 40 | 25 | 31 | 240 | 112 | 90 | 40 | 258 | 24 | 65 | 110 | 332 | 198 | |
| EJ 301/06 | 3000 | 60+10 | 2450-3200 | 560 | 1.4 | 1500 | 50 | 44 | 645 | 60 | 25 | 40 | 25 | 31 | 240 | 112 | 90 | 40 | 258 | 24 | 65 | 110 | 332 | 138 | |
| EJ 301/12 | 3000 | 120 | - | 560 | 1.4 | 850 | 50 | 45 | 705 | 120 | 25 | 40 | 25 | 31 | 240 | 112 | 90 | 40 | 258 | 24 | 65 | 110 | 332 | 198 | |

Johnson Elevation products are subject to continual development and Johnson Elevation reserves the right to make changes in the specification and design of their products without prior notice.

Johnson industries / elevantia Ltd

Vancouver BC Canada -- Tel: 604 940 4555 Fax: 604 940 4565
 Toronto ON Canada -- Tel: 416 213 9991 Fax: 416 213 9992
 Bridgwater SOM England -- Tel: 01278 456411 Fax: 01278 429949

JOHNSON (EJ) THRUSTERS

BY: Y.K.

DATE: DEC.3/03

DWG. NO.

SC:

REV.:

EJDS-1.0

PATH: yakov/ej_data