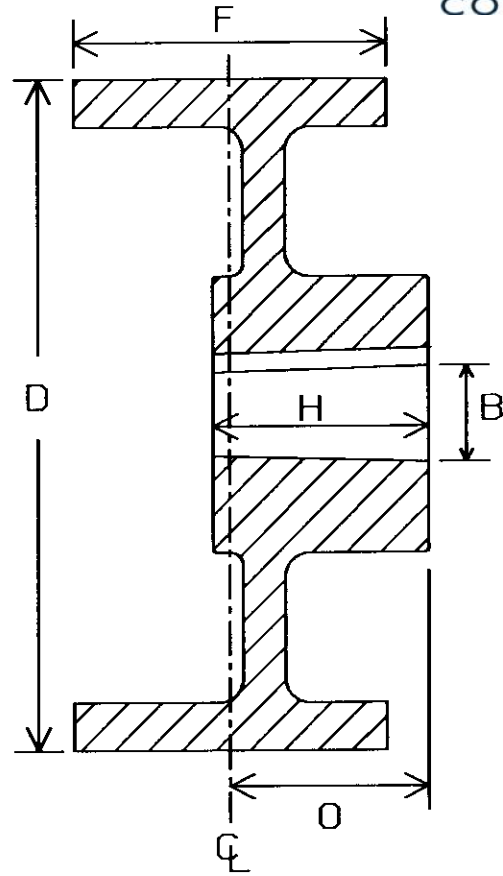
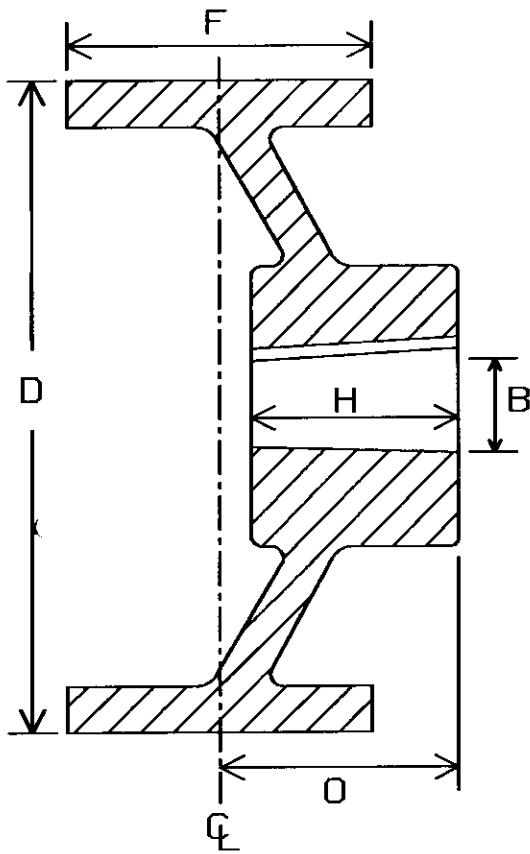


Enter Desired Brake Drum Dimensions and Submit to sales@kor-pak.com



"D" WHEEL DIA.	"F" FACE WIDTH	"O" HUB OFFSET	"H" HUB LENGTH	"B" BORE DIA.	BORE TAPER IN/FT	"S" KEYWAY WIDTH	"T" KEYWAY DEPTH