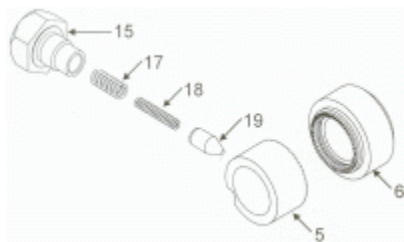
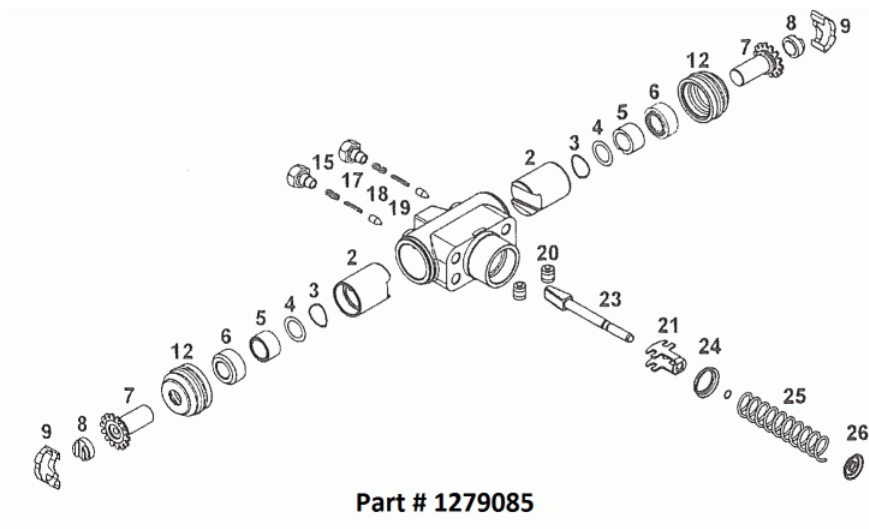


81.2898.1	500 x 120 Drum	19.68 (500.0)	5.71 (145.0)	9.06 (230.0)	11.81 (300.0)	13.19 (335.0)	10
81.4866.1	500 x 120 Drum	19.68 (500.0)	6.93 (176.0)	8.78 (223.0)	15.16 (385.0)	16.73 (425.0)	12
81.2978.1	500 x 180 Drum	19.68 (500.0)	7.28 (185.0)	10.35 (263.0)	11.81 (300.0)	13.19 (335.0)	10
81.22540.3	410 x 180 Drum	16.14 (410.0)	7.52 (191.0)	10.59 (269.0)	11.81 (300.0)	13.19 (335.0)	10
81.3010.1	410 x 180 Drum	16.14 (410)	7.32 (186.0)	9.49 (241.0)	11.81 (300.0)	13.19 (335.0)	10
81.4455.1	500 x 180 / 500 x 160 Drum	19.68 (500)	7.68 (195.0)	9.51 (241.5)	15.16 (385.0)	16.73 (425.0)	12
81.4524.1	500 x 180 Drum	19.68 (500)	7.17 (182.0)	9.76 (248.0)	15.16 (385.0)	16.73 (425.0)	12
71.3650.1	500 x 180 Drum	19.68 (500)	7.44 (189.0)	9.57 (243.0)	11.81 (300.0)	13.19 (335.0)	10

Simplex Expander

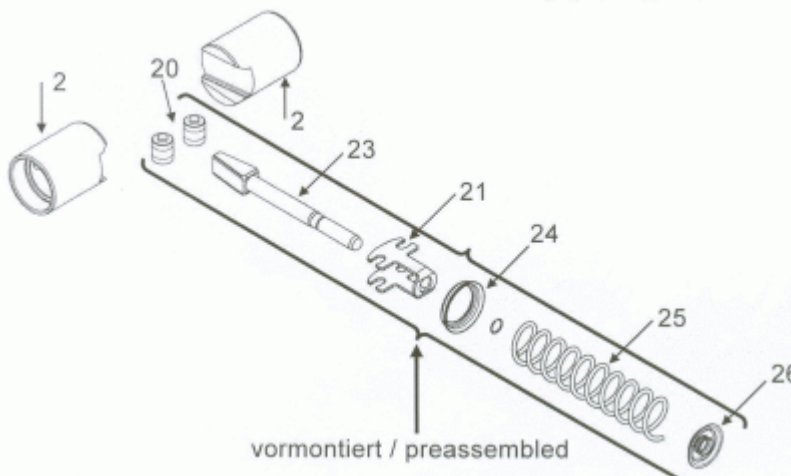
- 2. Piston
- 3. Spiral Spring
- 4. Washer
- 5. Ring
- 6. Nut
- 7. Star Screw
- 8. Cross Strut
- 9. Leaf Spring
- 12. Seal
- 15. Screw
- 17. Pressure Spring
- 18. Pressure Spring
- 19. Bolt
- 20. Roller
- 21. Wedge
- 23. Spring Plate
- 24. Pressure Spring
- 25. Washer
- 26. Lock Ring



Simplex Adjuster Kit
Part # 12999292



Seal Kit
Part # 12999453



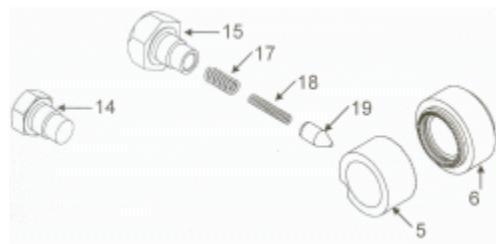
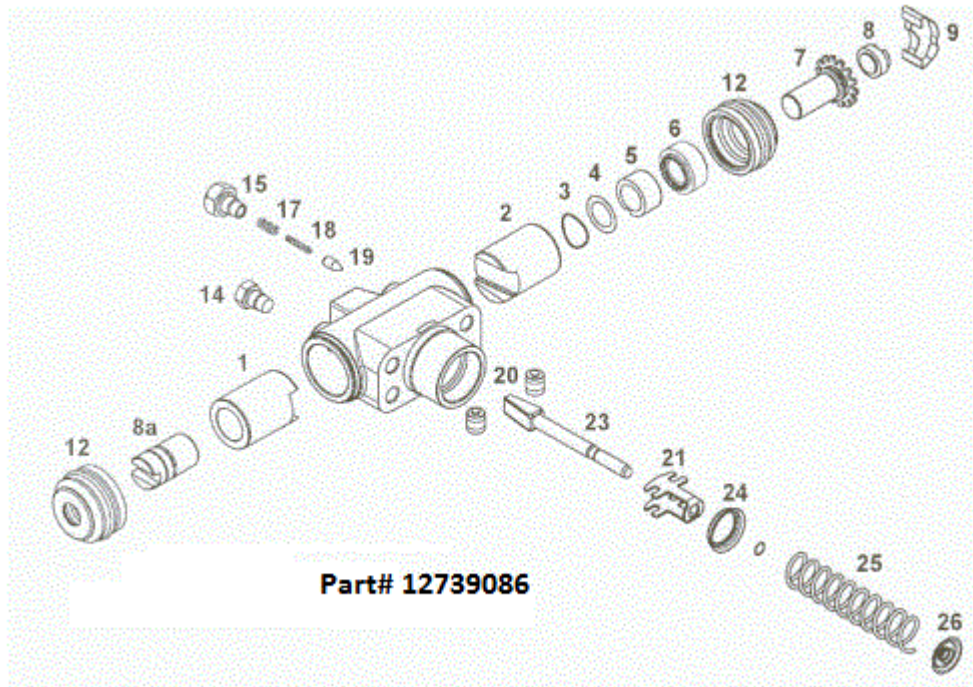
Simplex Wedge Kit
Part # 12999518



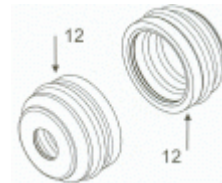
Simplex Release Spring
Part # 13301258

Duplex Expander

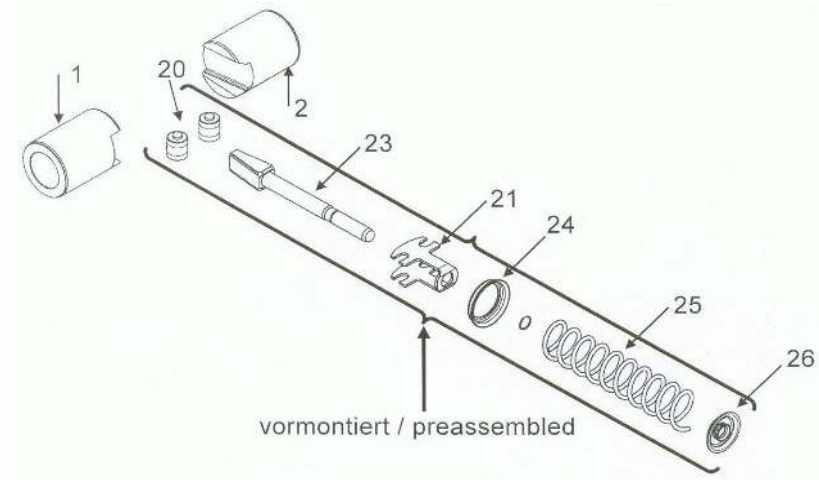
1. Piston
2. Piston
3. Spiral Spring
4. Washer
5. Ring
6. Nut
7. Star Screw
8. Cross Strut
- 8a. Cross Strut
9. Leaf Spring
12. Seal
14. Screw
15. Screw
17. Pressure Spring
18. Pressure Spring
19. Bolt
20. Roller
21. Wedge
23. Spring Plate
24. Pressure Spring
25. Washer
26. Lock Ring



Duplex Adjuster Kit
Part # 12999295



Seal Kit
Part # 12999453



Duplex Wedge Kit
Part # 12999518



Duplex Release Spring
Part # 13301161



Duplex Pressure Spring
Part # 13302008