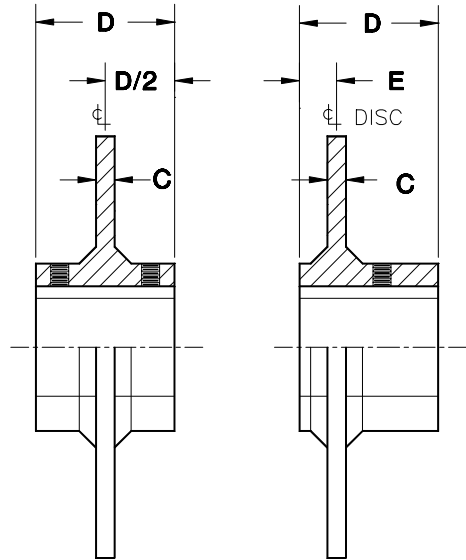
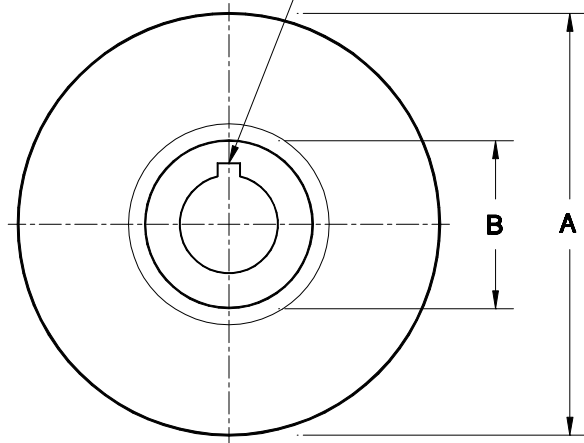


TYPICAL HUBBED DISC CHARACTERISTICS

FOR HUB BORES AND KEYWAYS
SEE TABLE D1



STYLE "A"

STYLE "B"

DISC NO.	ENERGY CAPACITY		WEIGHT lb kg	WK ² lb-ft ² kg-m ²	DIMENSIONS - in./mm				
	HEAT SINK hp-sec. kW-sec.	CONTINUOUS hp kW			A	B	C	D	E
15075H	2781 2074	2.9 2.2	41 18	7 0.3	15 381	3.25 82.6	0.75 19.1	3.0 76.2	1.5 38.1
25075H	6489 4839	7.4 5.5	117 53	56 2.4	25 635	4.50 114.3	0.75 19.1	5.0 127.0	1.5 38.1
25125H	11673 8704	8.0 6.0	190 86	94 4.0	25 635	5.25 133.4	1.25 31.8	5.5 139.7	2.0 50.8
35125H	18539 13824	13.3 9.9	363 165	360 15.2	35 889	6.00 152.4	1.25 31.8	6.0 152.4	2.0 50.8
30175H	21148 15770	11.2 8.4	372 169	272 11.5	30 762	6.00 152.4	1.75 44.5	6.5 165.1	2.5 63.5
40175H	30761 22938	16.7 12.5	651 296	859 36.3	40 1016	7.00 177.8	1.75 44.5	6.5 165.1	2.5 63.5
50175H	40373 30107	22.2 16.6	1012 460	2096 88.5	50 1270	7.50 190.5	1.75 44.5	7.5 190.5	2.5 63.5
35200H	29662 22119	14.3 10.7	600 273	579 24.5	35 889	8.25 209.6	2.00 50.8	8.0 203.2	3.0 76.2
45200H	40648 30311	19.9 14.9	984 447	1578 66.7	45 1143	9.00 228.6	2.00 50.8	9.5 241.3	3.0 76.2
55200H	51634 38504	25.6 19.1	1471 669	3517 148.6	55 1397	10.00 254.0	2.00 50.8	11.0 279.4	3.0 76.2

NOTE: - Disc maximum temperature is 500°F / 260°C above ambient
 - Heat sink capacity is based on one brake application for 60 sec.
 - Continuous heating capacity is based on 100 RPM

Johnson industries / elevanja Ltd

Vancouver BC Canada -- Tel: 604 940 4555 Fax: 604 940 4565
 Toronto ON Canada -- Tel: 416 213 9991 Fax: 416 213 9992
 Bridgwater SOM England -- Tel: 01278 456411 Fax: 01278 429949

HUBBED SOLID STEEL DISC PROPERTIES

800/1000/1800/2000/2800/3000/3800/4000 CALIPERS

BY: NAJ

DATE: 920324

DWG. NO.

SC:

REV.:

PATH: dbh/dsc/disch

DMM04-1.0