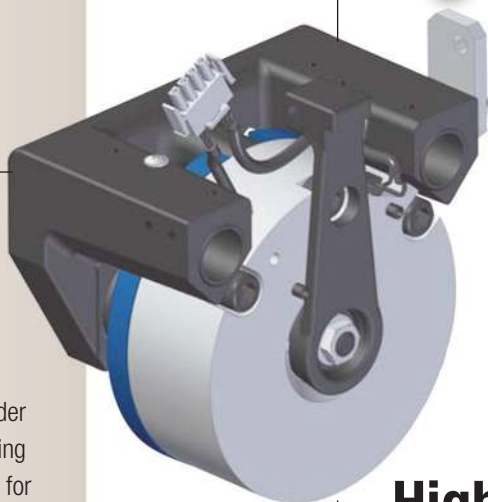




I N T R O D U C I N G

ERS VAR 11-01

Electrically Released
Brake for Elevators



Elevator Applications

- Gearless motors
- Gear motors

Warner Electric is a world leader in the design and manufacturing of electrically released brakes for the elevator market.

We offer a full range of brakes and specialize in customized solutions to meet the specific performance and installation requirements of the world's top elevator and traction machine manufacturers.

We have over 60 years of experience delivering high technology, cost effective industrial braking systems, and offer production, R&D, and application engineering support from ISO-certified facilities in Europe, Asia and the US.



Industrie Service

Highly modular braking system for modern elevators

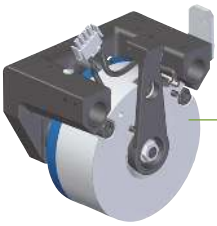
Electrically released failsafe brake caliper
that is particularly suitable for flat gearless
motors

The VAR11-01 operates in static and/or emergency stops.

- Torque according to disc diameter and number of calipers
- Floating magnet and fixed disc
- EC 95/16 certified
- Hand release equipped
- Redundant capability according EN81-1+A3 when two or more brakes are used
- Overexcitation (dual voltage)
- Microswitch equipped
- Very easy installation
- Nearly maintenance free (further information in our service manual)
- No airgap adjustment required

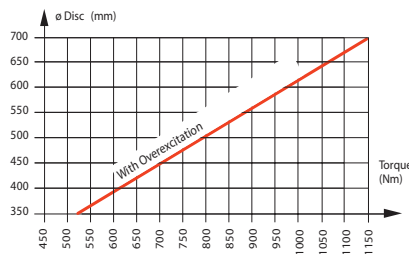
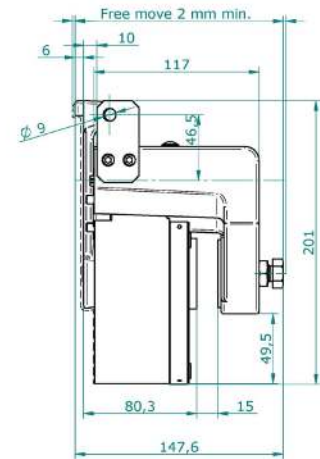
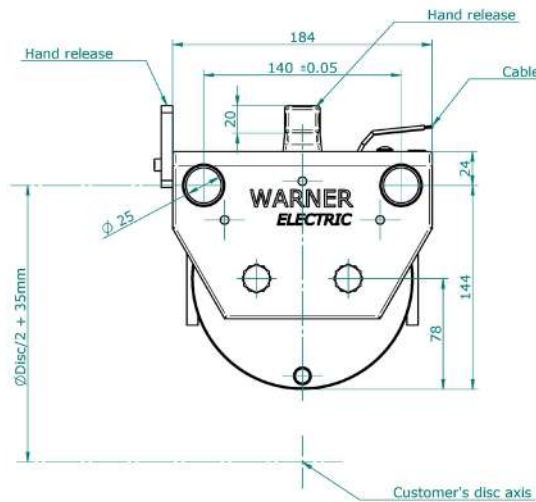
 **Warner**[®]
Electric

An Altra Industrial Motion Company



ERS VAR11-01

Electrically Released Brake for Elevators



Linear speed (outer diameter of disc): standard up to 15 m/c

Friction material: Steel or grey cast iron

Subject to alteration without prior notice.

Voltage (VDC)

With Overexcitation

Holding Voltage	Overexcitation Voltage
24	48
52	103.5
103.5	207

ED=50%

Tolerances on the supply voltage at the brake terminals +5% / -10% (NF C 79-300).