

Component parts list

Demag Chain Hoist - Manulift DKM 1

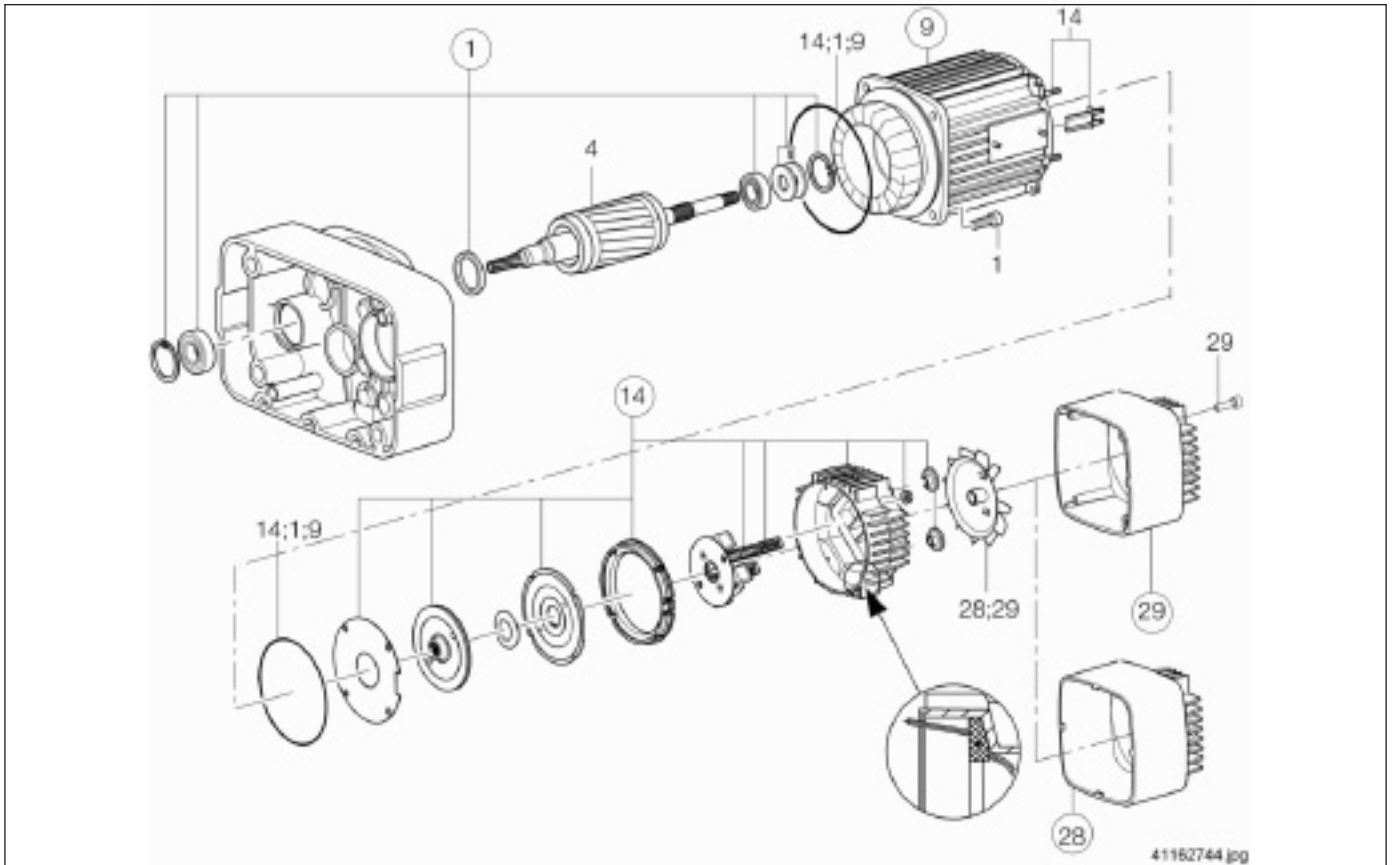
Contents

<p>Fix limit stop 835 085 44 for hook path: 2.8 m (9 ft-2.25 in) to 17th link 4.3 m (14 ft-1.25 in) to 21th link</p>		<table border="0"> <tr> <td></td> <td style="text-align: right;">Page</td> </tr> <tr> <td>Main/creep hoist motor KDK 63 A2/8 - B2/8</td> <td style="text-align: right;">3</td> </tr> <tr> <td>Helical gearbox, 2-stages</td> <td style="text-align: right;">4</td> </tr> <tr> <td>Electrical components</td> <td></td> </tr> <tr> <td>Contactor control</td> <td style="text-align: right;">7</td> </tr> <tr> <td>DSM5 Control unit</td> <td style="text-align: right;">8</td> </tr> <tr> <td>Pantograph tongs</td> <td style="text-align: right;">10</td> </tr> </table>		Page	Main/creep hoist motor KDK 63 A2/8 - B2/8	3	Helical gearbox, 2-stages	4	Electrical components		Contactor control	7	DSM5 Control unit	8	Pantograph tongs	10
	Page															
Main/creep hoist motor KDK 63 A2/8 - B2/8	3															
Helical gearbox, 2-stages	4															
Electrical components																
Contactor control	7															
DSM5 Control unit	8															
Pantograph tongs	10															

<p>DK at right angles to the track girder</p>	<p>DK parallel to the track girder</p>	<table border="0"> <tr> <td>Standard headroom monorail hoist</td> <td style="text-align: right;">Page</td> </tr> <tr> <td>Click-fit CF 5 DK trolley</td> <td style="text-align: right;">11</td> </tr> </table>	Standard headroom monorail hoist	Page	Click-fit CF 5 DK trolley	11
Standard headroom monorail hoist	Page					
Click-fit CF 5 DK trolley	11					

		<table border="0"> <tr> <td>Standard headroom monorail hoist</td> <td style="text-align: right;">Page</td> </tr> <tr> <td>RU 3 DK trolley, Flange width 50 - 90 mm (2.0 - 3.5 in)</td> <td style="text-align: right;">12</td> </tr> </table>	Standard headroom monorail hoist	Page	RU 3 DK trolley, Flange width 50 - 90 mm (2.0 - 3.5 in)	12
Standard headroom monorail hoist	Page					
RU 3 DK trolley, Flange width 50 - 90 mm (2.0 - 3.5 in)	12					

Main/creep hoist motor KDK 63 A2/8 - B2/8

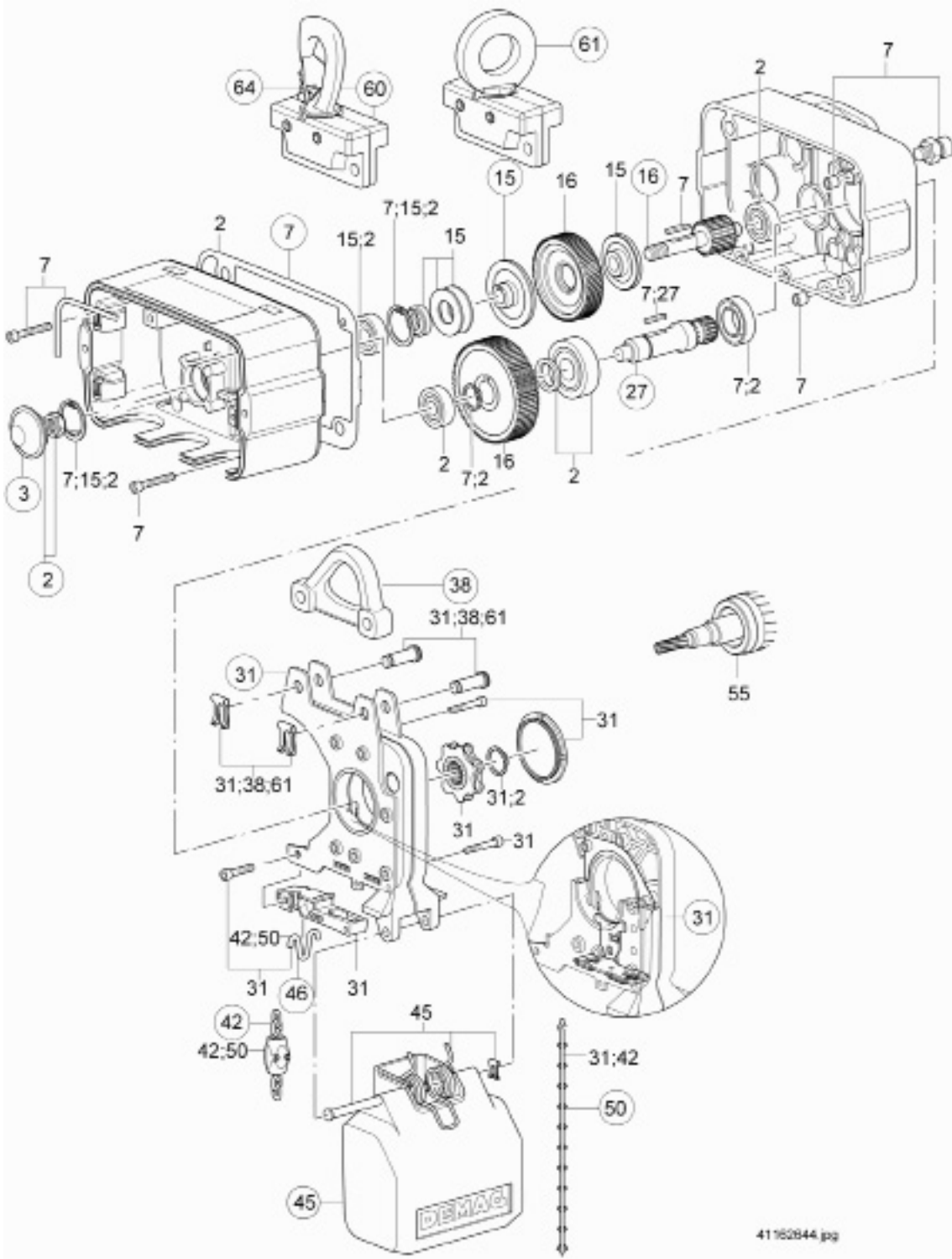


Item no.	Part no.	Quantity	Designation	Material	Standard
1	12434033	1	Small parts set KDK 63		
4	12435284	1	Rotor KD 63A/DK 1	A 2/8	
4	12435184	1	Rotor KD 63B/DK 1	B 2/8	
9	1)	1	Stator set KDK 63A 2/8		
9	1)	1	Stator set KDK 63B 2/8		
14	12485484	1	Brake set KDF63 230V, 60Hz		
14	12485984	1	Brake set KDF63 460V, 60Hz		
14	12487984	1	Brake set KDF63 575V, 60Hz		
28	12481133	1	Fan cover set KD63		
29	12495833	1	Fan cover set KD63		from 03/2003

22249502.tbl

Helical gearbox, 2-stages

Helical gearbox, combination with corresponding motor for two hoist speeds



Helical gearbox, 2-stages

Helical gearbox, combination with corresponding motor for two hoist speeds

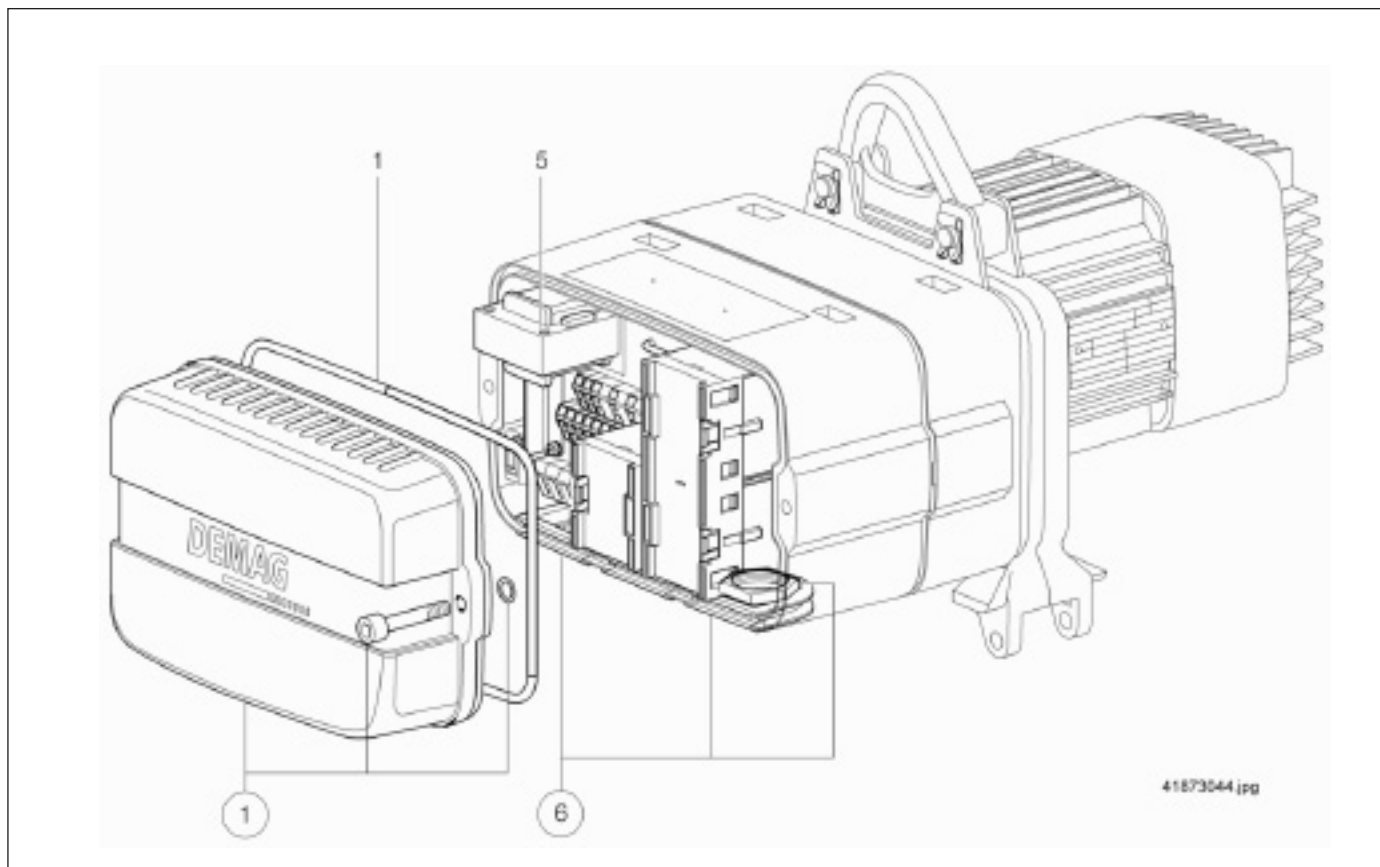
Item no.	Part no.	Quantity	Designation	Material	Standard
2	83414833	1	Bearing set DK 1		
3	75225733	1	Plug with O-Ring x 4		
7	83413933	1	Gearbox seal set DK 1		1)
15	83426033	1	Coupling set DK 1		
16	83446433	1	Geared parts set for mot. KDK 63 A 2/8		
			Geared parts set DK 1 V1	80,125, V 1, l = 50.5	
			Geared parts set for mot. KDK 63 B 2/8		
16	83446533	1	Geared parts set DK 1 V2	80,125, V 2, l = 27.5	
27	83416233	1	Output shaft DK 1		
31	83437733	1	Chain guide set DK 1		
38	83470433	1	Supporting eye set DK1		
42	75227033	1	Chain set DK 1 L=3m (9.8 ft)		2)
42	75227133	1	Chain set DK 1 L=4m (13.1 ft)		2)
42	75227233	1	Chain set DK 1 L=5m (16.4 ft)		2)
42	75227333	1	Chain set DK 1 L=6m (19.6 ft)		2)
42	75227433	1	Chain set DK 1 L=8m (26.2 ft)		2)
45	83606833	1	Chain collector box DK 1-5 size 1		
45	83608433	1	Chain collector box DK 1-5 size 2		
46	83416533	1	Chain anchorage 2/1 x 4		
# 50	83407833	1	Pilot section set DK 1		3)
			Stage 1 for two Hoist speeds	Mot. KDK 63 A 2/8	
55	12435284	1	Rotor KD 63A/DK 1	80,125, V 1, l = 50.5	
			Stage 1 for two Hoist speeds	Mot. KDK 63 B 2/8	
55	12435184	1	Rotor KD 63B/DK 1	80,125, V 2, l = 27.5	
60	83462033	1	Load hook crossbar set DK 1	c/w item 64	
61	83464033	1	Eye ring set DK1		
64	83665933	1	Hook safety catch set size 3 x 4		

22259501.tbl

- 1) Quantity 0.1 liter (0.1 qts), part no. 472 902 44 (1.0 kg (2.2 lbs)).
- 2) When fitting a new chain, the return sprocket of the bottom block and the chain anchor 2/1 must also be replaced.
- 3) Fix limit stop to the 10th chain link.

Electrical components

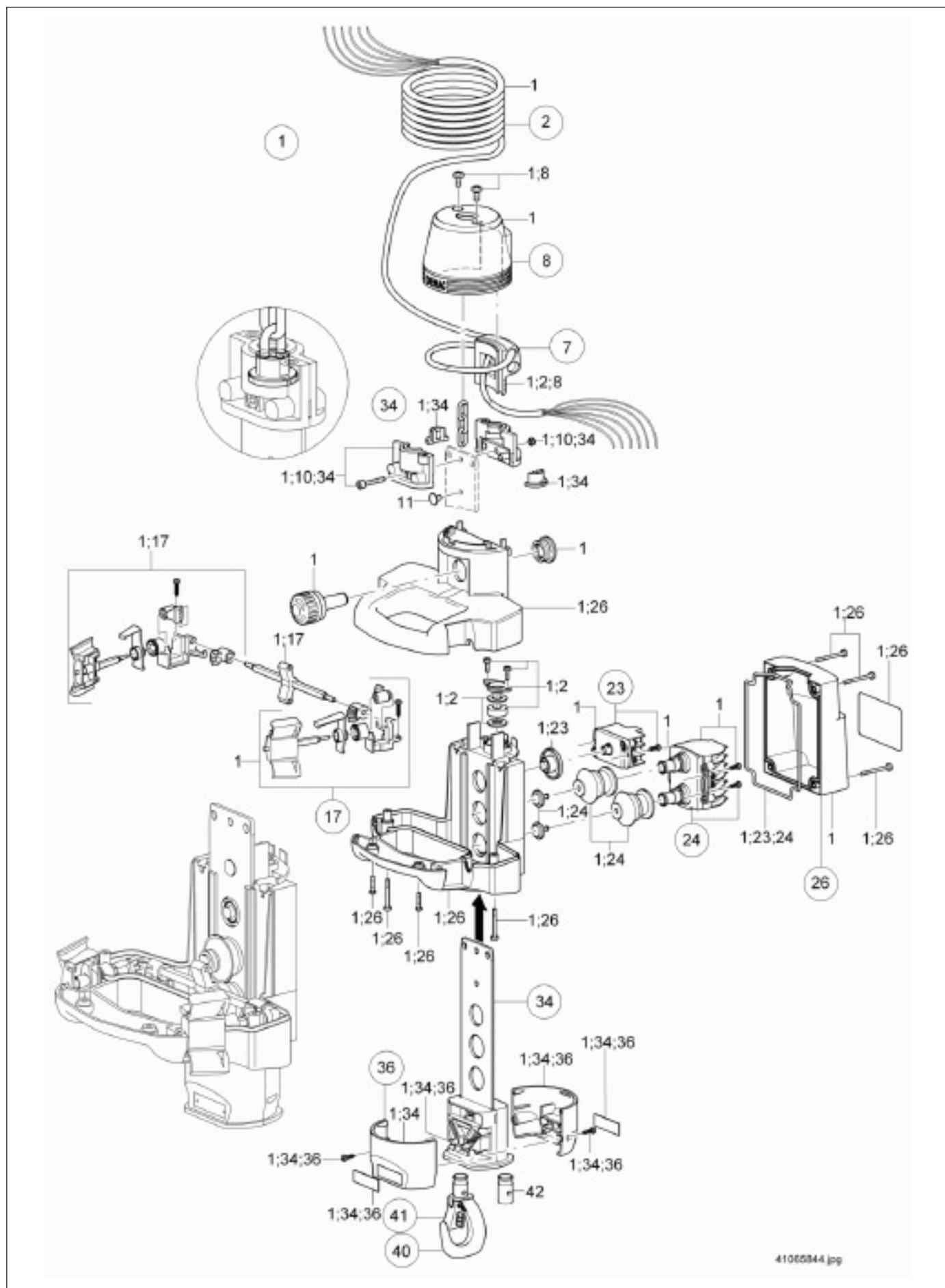
Contactors control



Item no.	Part no.	Quantity	Designation	Material	Standard
1	83412033	1	Cover set, short DK 1		
5			Panel board set 3-Phase Design		
5	46978244	1	Panel board set 230/ 24V60Hz	Main - creep hoist	1)
5	46978644	1	Panel board set 460/ 24V60Hz	Main - creep hoist	1)
5	46978844	1	Panel board set 575/ 24V60Hz	Main - creep hoist	1)
6	83612933	1	Plug-in unit set, control		

22259503.tbl

DSM5 Control unit



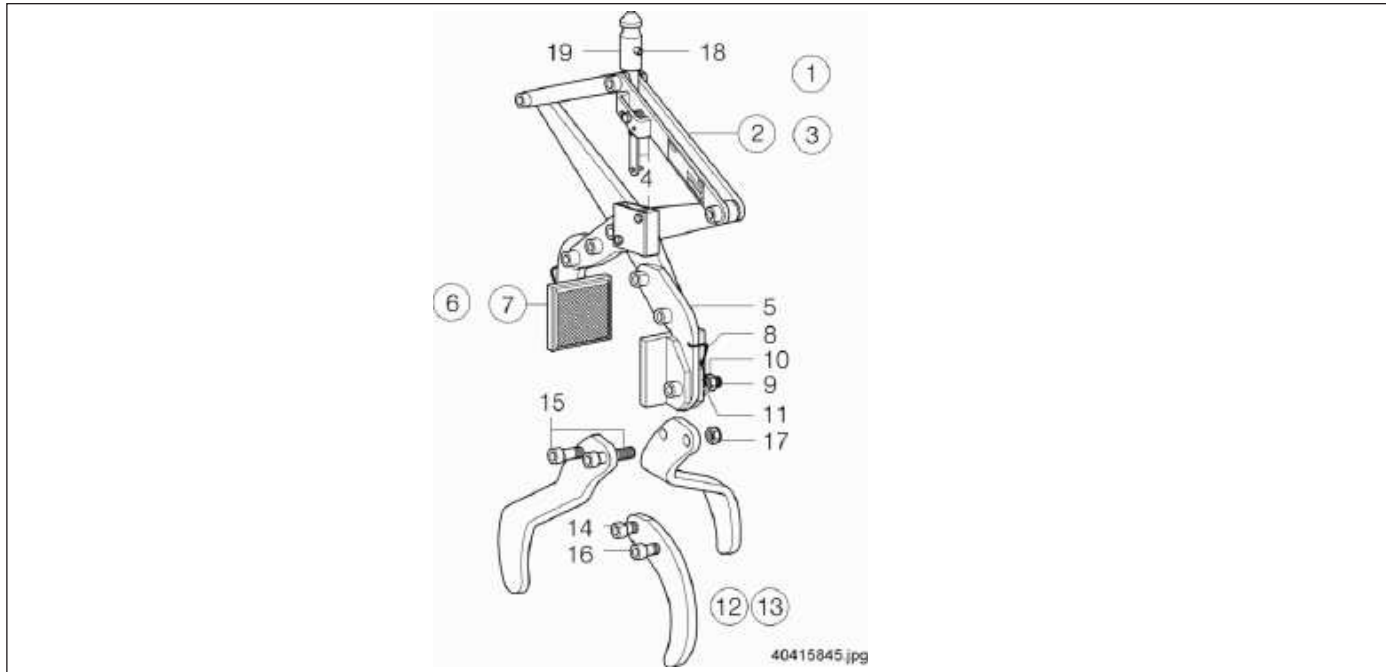
41065344.jpg

DSM5 Control unit

Item no.	Part no.	Quantity	Designation	Material	Standard
1	77206233	1	Control unit DSM5/125	DKM 1, 80; 2.8m (9.18 ft)	
1	77206333	1	Control unit DSM5/125	DKM 1, 80; 4.3m (14.10 ft)	
2	79202433	1	Helix cable KPL 2800	DKM 1, 80/125; 2.8m (9.18 ft)	
2	79202533	1	Helix cable KPL 4300	DKM 1, 80/125; 4.3m (14.10 ft)	
7	77203933	1	Helix cable entry sleeve		
8	77206833	1	Cap set DSM 5		
10	77207344	1	Support chain load		
11	87350344	1	Busbar line pin DFL		
17	77207533	1	Bearing DSM 5		
23	77207933	1	Switching element CBDN 30E		
24	77204533	1	Switching element CB/DSM		
26	77200233	1	Housing set DSM5/D-BP		
34	75203133	1	Load element 80/125		
36	77201833	1	Unlatching half		
40	83566544	1	Load hook DKDSM5 250KG (550 lbs)	c/w item 41	
41	83565933	1	Hook safety catch set size 2		
42	83558044	1	Coupling pin set DSM5		

22259504.tbl

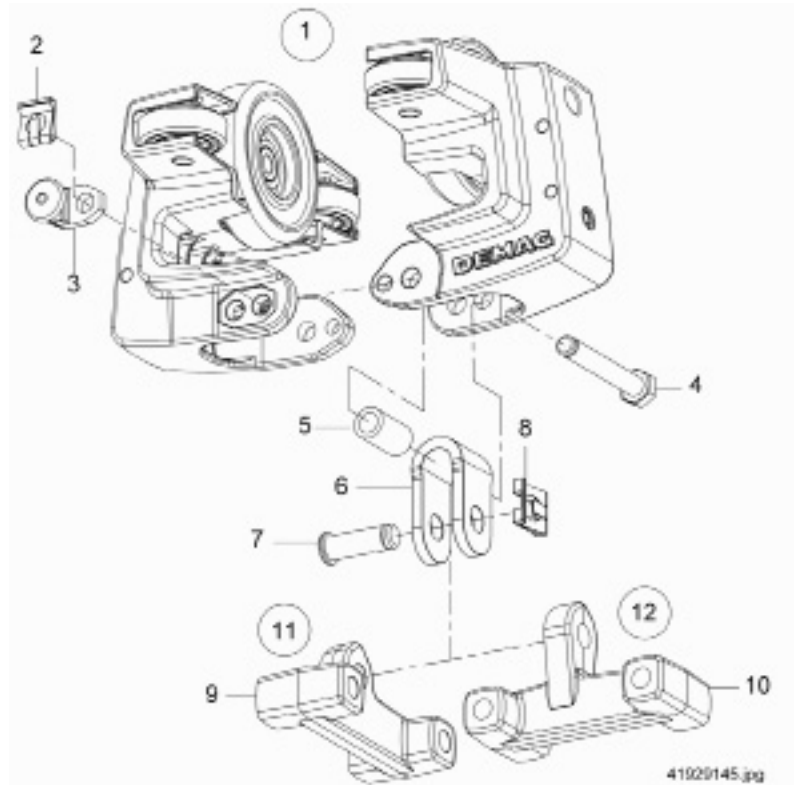
Pantograph tongs for SWL up to 125 kg (275 lbs)



Item no.	Part no.	Quantity	Designation	Material	Standard
1	56570144	1	Pantograph-type tongs grib 60- 80 (2.36 - 3.15 in)	SZ 1, Typ 08-1, c/w items 2, 5, 6	
1	56560144	1	Pantograph-type tongs grib 80-105 (3.15 - 4.13 in)	SZ 1, Typ 10-1, c/w items 2, 5, 6	
1	56570244	1	Pantograph-type tongs grib 105-130 (4.13 - 5.12 in)	SZ 1, Typ 13-1, c/w items 2, 5, 6	
1	56560244	1	Pantograph-type tongs grib 130-155 (5.12 - 6.10 in)	SZ 1, Typ 15-1, c/w items 2, 5, 6	
1	56570344	1	Pantograph-type tongs grib 155-180 (6.10 - 7.08 in)	SZ 1, Typ 18-1, c/w items 2, 5, 6	
1	56560344	1	Pantograph-type tongs grib 180-205 (7.08 - 8.07 in)	SZ 1, Typ 20-1, c/w items 2, 5, 6	
1	56570444	1	Pantograph-type tongs grib 60- 80 (2.36 - 3.15 in)	SZ 1, Typ 08-2, c/w items 2, 5, 7	
1	56560444	1	Pantograph-type tongs grib 80-105 (3.15 - 4.13 in)	SZ 1, Typ 10-2, c/w items 2, 5, 7	
1	56570544	1	Pantograph-type tongs grib 105-130 (4.13 - 5.12 in)	SZ 1, Typ 13-2, c/w items 2, 5, 7	
1	56560544	1	Pantograph-type tongs grib 130-155 (5.12 - 6.10 in)	SZ 1, Typ 15-2, c/w items 2, 5, 7	
1	56570644	1	Pantograph-type tongs grib 155-180 (6.10 - 7.08 in)	SZ 1, Typ 18-2, c/w items 2, 5, 7	
1	56560644	1	Pantograph-type tongs grib 180-205 (7.08 - 8.07 in)	SZ 1, Typ 20-2, c/w items 2, 5, 7	
1	56560844	1	Pantograph-type tongs grib 40-150 (1.57 - 5.91 in)	SZ 1, Typ R-15, c/w items 2, 12	
1	56571244	1	Pantograph-type tongs grib 140-210 (5.51 - 8.26 in)	SZ 2, Typ 21-1, c/w items 3, 5, 6	
1	56561244	1	Pantograph-type tongs grib 210-275 (8.26 - 10.82 in)	SZ 2, Typ 27-1, c/w items 3, 5, 6	
1	56561344	1	Pantograph-type tongs grib 275-340 (10.81-13.38 in)	SZ 2, Typ 34-1, c/w items 3, 5, 6	
1	56571544	1	Pantograph-type tongs grib 140-210 (5.51 - 8.26 in)	SZ 2, Typ 21-2, c/w items 3, 5, 7	
1	56561544	1	Pantograph-type tongs grib 210-275 (8.26 - 10.82 in)	SZ 2, Typ 27-2, c/w items 3, 5, 7	
1	56561644	1	Pantograph-type tongs grib 275-340 (10.82-13.38 in)	SZ 2, Typ 34-2, c/w items 3, 5, 7	
1	56561844	1	Pantograph-type tongs grib 100-300 (3.93 - 11.81 in)	SZ 2, Typ R-30, c/w items 3, 13	
2	56562044	1	Pantograph articulation SZ1	c/w items 4, 18, 19	
3	56563044	1	Pantograph articulation SZ2	c/w items 4, 18, 19	
4	56563844	1	Coupling SZ1+SZ2	packaged	
5	56574044	1	Clamping lever 60- 80 mm (2.36 - 3.15 in)	SZ 1, type 8	
5	56564044	1	Clamping lever 80-105 mm (3.15 - 4.13 in)	SZ 1, type 10	
5	56574444	1	Clamping lever 105-130 mm (4.13 - 5.12 in)	SZ 1, type 13	
5	56564444	1	Clamping lever 130-155 mm (5.12 - 6.10 in)	SZ 1, type 15	
5	56574844	1	Clamping lever 155-180 mm (6.10 - 7.08 in)	SZ 1, type 18	
5	56564844	1	Clamping lever 180-205 mm (7.08 - 8.07 in)	SZ 1, type 20	
5	56576044	1	Clamping lever 140-210 mm (5.51 - 8.26 in)	SZ 2, type 21	
5	56566044	1	Clamping lever 210-275 mm (8.26 - 10.82 in)	SZ 2, type 27	
5	56566444	1	Clamping lever 275-340 mm (10.82-13.38 in)	SZ 2, type 34	
6	56567544	1	Clamping jaw 1-SZ1+SZ2	d = 60 mm (2.37 in), c/w items 8 - 11	
7	56568044	1	Clamping jaw 2-SZ1+SZ2	d = 200 mm (7.87 in), c/w items 8 - 11	
8	56567344	2	Spring clamping jaw SZ1+SZ2		
9	31925999	2	Socket head screw M10 X 40	10.9	ISO 4762
10	33461044	2	Lock nut V M10	8 A2F	DIN 980
11	34065599	2	Washer A10.5 x 20 x 2	A2F	DIN 125
12	56565244	1	Clamping lever 40-150 mm (1.57 - 5.90 in)	SZ 1, Typ R-15, c/w items 14 - 17	
13	56566844	1	Clamping lever 100-300 mm (3.93 - 11.81 in)	SZ 2, Typ R-30, c/w items 14 - 17	
14	56563944	1	Socket head screw M10 X 30		
15	31925999	2	Socket head screw M10 X 40	10.9	ISO 4762
16	31925799	1	Socket head screw M10 X 30	10.9	ISO 4762
17	33461044	4	Lock nut V M10	8 A2F	DIN 980
18	34503199	1	Split sleeve 5 X 32		ISO 8752
19	56562544	1	Bolt coupling SZ1+SZ2		

Standard headroom monorail hoist
 CF 5 DK Click-fit trolley
 SWL 550 kg (1210 lbs)
 Flange width 50 - 91 mm (2.0 - 3.58 in)

Suitable for Demag chain hoist
 DKM 1 - 80/125, 1/1 reeving

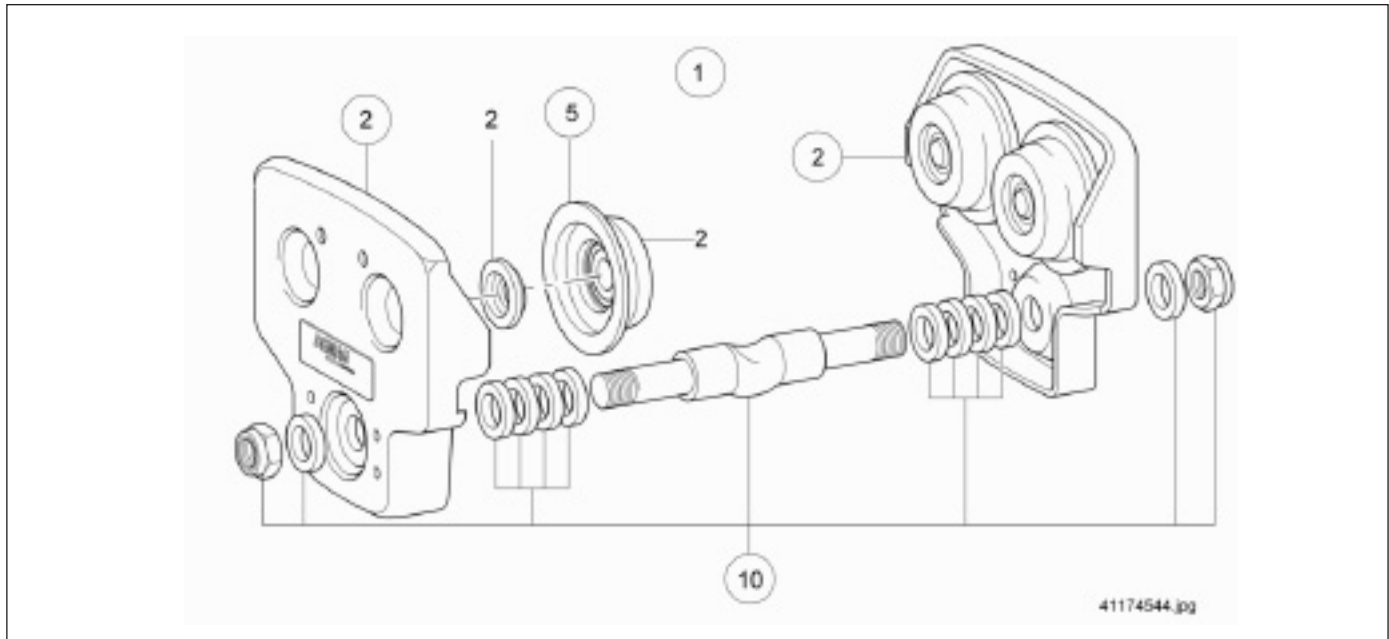


Item no.	Part no.	Quantity	Designation	Material	Standard
1	84020544	1	Click-Fit travel unit CF 5 Azurblue	c/w items 2 - 5	
2	34287544	1	Securing clip SL 10 SXN08		
3	84001544	1	Fuse-element CF5		
4	84002244	1	Setbolt 10 X 64.8 grooved		
5	84002744	1	Spacer 6 X 2.8 X 29		
6	84002544	1	Bracket supporting eye CF5		
7	84002144	1	Setbolt 12h11 X 30 grooved		
8	34287644	1	Securing clip SL 12 SXN08		
9	84003244	1	Supporting eye transverse CF5/8DK 1		
10	84006244	1	Supporting eye parallel CF5/8		
11	84000144	1	Carrying eye set transverse CF5/8 DK 1	c/w items 6 - 9	
12	84000444	1	Carrying eye set parallel CF5/8 DK 1	c/w items 6 - 8, 10	

22249522.tbl

Standard headroom monorail hoist
 Trolley RU 3 DK
 SWL 450 kg (990 lbs)
 Flange width 50 – 90 mm (2.0 - 3.5 in)

Suitable for Demag chain hoist
 DKM 1 - 80/125, 1/1 reeving



Item no.	Part no.	Quantity	Designation	Material	Standard
1	83970144	1	Trolley w/universal wheels w.crossbar RU 3 c/w items 2, 10		
2	83961044	2	Side plate w/universal wheel plain		
5	83961533	1	Travel wheel set, universal plain		
10	83950344	1	Crossbar Fl.W. 50 - 90 (2.0 - 3.5 in) RU 3 DK		

22249519.tbl

Demag Cranes & Components
 29201 Aurora Road
 Cleveland Ohio 44139
 Telephone (440) 248 - 2400
 Telefax (440) 248 - 3086
 www.demagcranes-us.com