

Heavy-Duty I-Beam Festoon Systems

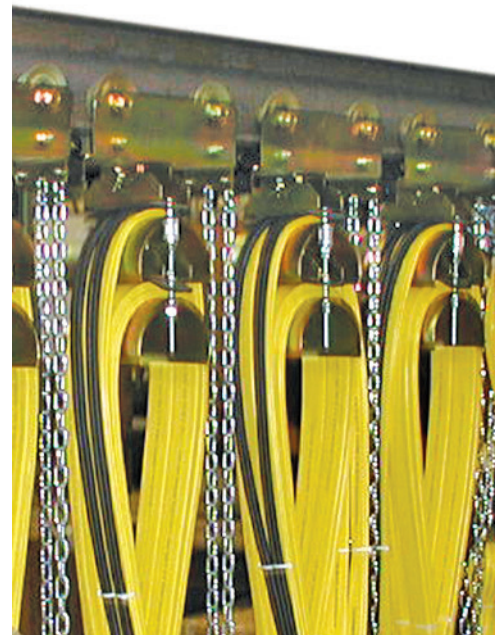
Magnetek's Electromotive Systems Heavy-Duty I-Beam Festoon Systems efficiently and economically deliver power and control to cranes used in a variety of industrial environments. They are perfectly suited for overhead, gantry, container, mill-duty or any cranes operating in harsh, heavy-duty environments.

Features

- I-Beam trolleys are available in multiple design configurations, are zinc plated, and feature ball bearing, lifetime lubricated wheels
- Designed to festoon flat or round cables using 3", 4" or 6" American Standard I-Beam
- Hardware designed for higher duty applications with trolleys capable of supporting loads up to 250 lbs.
- Stainless steel trolleys available on special order basis
- Single and double flat cable trolley saddles available
- Trolley bumpers
- Returnable festoon shipping stands available for pre-assembled systems—eliminates expense of custom fabricated shipping stands
- Full range of cable available

This system can be purchased from Magnetek pre-wired and assembled to your specifications. Whatever your requirements, Magnetek can provide the power and control you need in a Heavy-Duty I-Beam Festoon System.

For more information contact Magnetek Material Handling or your local Magnetek Sales Representative.



Heavy-Duty I-Beam Festoon



MAGNETEK
MATERIAL HANDLING

**ELECTROMOTIVE SYSTEMS
TELEMOTIVE
ENRANGE
MONDEL**

YOUR ONE-STOP-SOURCE FOR MATERIAL HANDLING CONTROL SOLUTIONS

N49 W13650 Campbell Drive ♦ Menomonee Falls, WI 53051 ♦ p:1.800.288.8178 ♦ f: 1.800.298.3503 ♦ w: www.magnetekmh.com

Tow Arm

3", 4" or 6" I-Beam*

Cable saddle attached to a heavy gauge steel track to mount on moving equipment which is to be electrified. Tow arm assembly may be used alone or in conjunction with tow trolleys.



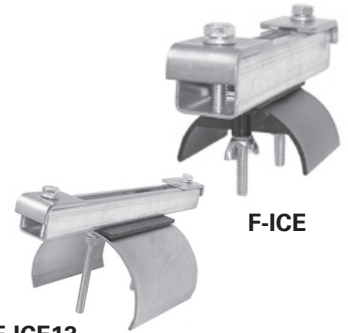
F-ICTA

Track System	Catalog Number	Saddle Radius	Weight
3" or 4" I-Beam	F-ICTA (powder coat finish)	1.50"	3.25 lbs.
	F-ICTA-SS (stainless steel)	1.50"	3.25 lbs.
	F-ICTA-2 (double saddle)	1.50"	3.55 lbs.
	R-ICTA (round single saddle)	–	3.25 lbs.
6" I-Beam	F-ICTA13 (single saddle)	3.00"	6.25 lbs.
	F-ICTA13-2 (double saddle)	3.00"	8.25 lbs.

End Clamp

3", 4" or 6" I-Beam*

Cable saddle with hardware used to secure cable at storage end of the track. One required for each run of I-Beam systems. Flat and round cable saddle configurations are available.



F-ICE13

Track System	Catalog Number	Saddle Radius	Weight
3" or 4" I-Beam	F-ICE	1.50"	3.50 lbs.
	F-ICE-SS (stainless steel)	1.50"	3.50 lbs.
	F-ICE-2 (double saddle)	1.50"	3.80 lbs.
	R-ICE (single round saddle)	–	3.50 lbs.
6" I-Beam	F-ICE13	3.00"	6.50 lbs.
	F-ICE13-2 (double saddle)	3.00"	8.50 lbs.

Tow Trolley

3" or 4" I-Beam*

Trolley and saddle assembly. Used in conjunction with a tow arm assembly. Cables may be stacked in the saddle. Flat and round cable saddle configurations are available.



F-IC3T

Track System	Catalog Number	Weight
3" or 4" I-Beam	F-IC3T	4.75 lbs.
	F-IC3T-2 (double saddle)	5.50 lbs.
	F-IC3T-SS (stainless steel)	4.75 lbs.

Tow Trolley

6" I-Beam*

Trolley and saddle assembly. Used in conjunction with a tow arm assembly. Cables may be stacked in the saddle. Double saddle configurations are available.



F-IC9T

Track System	Catalog Number	Weight
6" I-Beam	F-IC9T	13.00 lbs.
	F-IC9T-2 (double saddle)	15.50 lbs.
	F-IC13T (single saddle)	20.00 lbs.
	F-IC13T-2 (double saddle)	22.50 lbs.

Control Box Trolley

3" or 4" I-Beam*

Plated steel trolley without a cable saddle, used to support a F-JB1 or F-JB2 junction box.



F-IC3B

Track System	Catalog Number	Weight
3" or 4" I-Beam	F-IC3B	3.5 lbs.
	F-IC3B-SS (stainless steel)	3.5 lbs.

Trolley

3" or 4" I-Beam*

Nylon cable saddle and plated steel trolley used to support flat cable. Cables may be stacked in the saddle. Flat and round cable saddle configurations are available. 250 lbs. capacity each trolley.



F-IC3

Track System	Catalog Number	Weight
3" or 4" I-Beam	F-IC3	3.50 lbs.
	F-IC3-SS (stainless steel)	3.50 lbs.
	F-IC3-B (with bumpers)	4.10 lbs.
	F-IC3-2 (double saddle)	3.85 lbs.
	R-IC3 (single round saddle)	3.85 lbs.

*Denotes American Standard I-Beam sections.

Trolley Severe Duty

6" I-Beam*

Saddle and plated steel trolley to support flat cable. Cables may be stacked in the saddle. Double saddle configurations are available. Trolleys also feature anti-lift rollers. 250 pound capacity each trolley.

Track System	Catalog Number	Weight
9" Frame	F-IC9*	15.50 lbs.
	F-IC9-2 (double saddle)	15.50 lbs.
13" Frame	F-IC13*	19.00 lbs.
	F-IC13-2 (double saddle)	22.00 lbs.

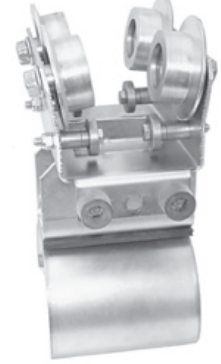
* Re-greaseable wheels with grease fittings available. Add suffix "-G" to the catalog number.

I-Beam Trolley
9" Length



F-IC9

I-Beam Trolley
13" Length



F-IC13

Junction Boxes/Terminal Strips

For use with C-Track, Heavy-Duty Aluminum, 3", 4" or 6" I-Beam systems. Steel junction box for termination of cables. Also requires terminal strip and cable clamps, order separately.

Track System	Catalog Number	Dimensions	Weight
All Systems	F-JB1	6" X 8" X 4"	5.00 lbs.
	F-JB2	8" X 10" X 4"	7.50 lbs.
	F-JB3	10" X 12" X 4"	8.00 lbs.

Track System	Catalog Number		Weight
All Systems	F-TS1	8 Pole	0.45 lbs.
	F-TS2	12 Pole	0.45 lbs.

F-TS1—Terminal strip 8-Pole for F-JB1 (1 terminal strip per box)

F-TS2—Terminal strip 12-Pole for F-JB2 & F-JB3
(Up to 2 strips per F-JB2 Junction Box and
3 strips per F-JB3 Junction Box)

Festoon Shipping Stands

Now you can eliminate the expense of custom fabricated festoon shipping stands when ordering assembled festoon systems. We now offer our customers a returnable festoon shipping stand that significantly reduces system costs. Our festoon shipping stands have been designed in a standard size that's adjustable to accommodate up to three 10-foot I-Beams so customers can hang systems with longer storage lengths and more trolleys. Plus, our stands have been designed to be collapsible to minimize the return freight cost for our customers.



Disassembled Festoon Shipping Stand



Assembled Festoon Shipping Stand

Electromotive™ Cable

Magnetek furnishes a variety of Electromotive Systems cable specifically designed for festoon applications. The cable is available in a round or flat design, comes standard in a safety yellow color, and most sizes are available for same day shipment.

Standard Cable Specifications*:

- Indoor/Outdoor festoon flat cable and round pendant control cable
 - 105° C (221° F) 600 volt A.C., 250 volt D.C.
 - Conductors are annealed copper
 - Each conductor has color coded jacket
 - Jacket rating -40° C (-40° F) to 105° C (221° F).**
 - Resistant to UV, ozone, water, oil and weather
 - 4, 8, or 12 conductor flat cable
 - 8, 12, 16 or 24 conductor round pendant control cable
 - #2 Awg through #16 flat cable
 - #16 Awg round pendant control cable
- * Special cables are also available—contact the factory for more information.

Festoon Cable		Cable Grips		
Catalog Number	AWG/Conductors	Catalog Number	For Cables	Thread Type
F-2/4	2 Awg-4 Conductors	F-4CG1	(1) F-6/4 or (2)F-12/8	1.50" NPT
F-4/4	4 Awg-4 Conductors	F-4CG2	(1) F-10/4	1.00" NPT
F-6/4	6 Awg-4 Conductors	F-4CG3	(1) F-12/4 or (1) F-14/4	1.00" NPT
F-8/4	8 Awg-4 Conductors	F-4CG4	(1) F-2/4	2.00" NPT
F-10/4	10 Awg-4 Conductors	F-4CG11	(1) F-12/8	1.50" NPT
F-12/4	12 Awg-4 Conductors	F-4CG3	(1) F-12/4 or (1) F-14/4	1.00" NPT
F-14/4	14 Awg-4 Conductors	F-4/8CG2	(1) F-12/4 or (1) F-14/4 & (1) F-14/8 or (1) F-16/8	1.25" NPT
F-12/8	12 Awg-8 Conductors	F-8CG1	(1) F-14/8 or (1) F-16/8	1.25" NPT
F-14/8	14 Awg-8 Conductors	F-8CG2	(2) F-14/8 or (2) F-16/8 or (1) F-8/4	1.25" NPT
F-16/8	16 Awg-8 Conductors	F-12CG1	(1) F-14/12 or (1) F-16/12	2.00" NPT
F-14/12	14 Awg-12 Conductors	F-12CG2	(2) F-14/12 or (2) F-16/12 or (1) F-4/4	2.00" NPT
F-16/12	16 Awg-12 Conductors	F-12CG3	(3) F-14/12 or (3) F-16/12	2.00" NPT

Cable available in specific lengths or in full reels of 500 or 1000 feet.
Cable available in black color—Add Suffix “-B” to the catalog number.

**Magnetek's flat cable is rated -40°C to 105°C. Round cable is rated -10°C to 90°C. However, they are not recommended for severe flexing or impact at temperatures below -10°C. For severe flexing applications below -10°C, contact the factory for more information

Pendant		Cable Grips		
Catalog Number	AWG/Conductors	Catalog Number	Cable Diameter	Thread Type
	Strain Relief			
R-16/8SR	16 Awg-8 Conductors	R-CG0	0.236" to 0.472" Inches Cable	.050" NPT
R-16/12SR	16 Awg-12 Conductors	R-CG1	0.394" to 0.709" Inches Cable	0.75" NPT
R-16/16SR	16 Awg-16 Conductors	R-CG2	0.591" to 1.000" Inches Cable	1.00" NPT
R-16/24SR	16 Awg-24 Conductors			
	Non Strain Relief			
R-16/8	16 Awg-8 Conductors			
R-16/12	16 Awg-12 Conductors			
R-16/16	16 Awg-16 Conductors			
R-16/24	16 Awg-24 Conductors			
R-16/30	16 Awg-30 Conductors			

Special flat and round cables are available. Contact the factory for additional information.



MAGNETEK
MATERIAL HANDLING

**ELECTROMOTIVE SYSTEMS
TELEMOTIVE
ENRANGE
MONDEL**

www.magnetekmh.com

N49 W13650 Campbell Drive ♦ Menomonee Falls, WI 53051 ♦ p:1.800.288.8178 ♦ f: 1.800.298.3503 ♦ w: www.magnetekmh.com