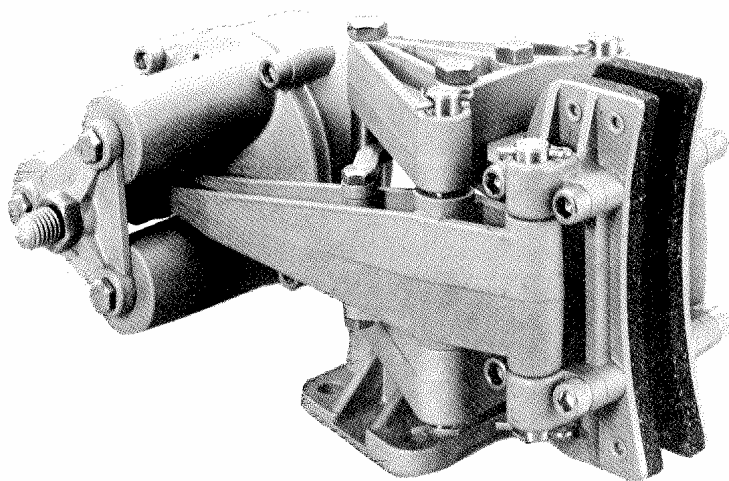


## MODEL 5019-S SPRING APPLIED BRAKE CALIPER



This spring applied brake caliper is basically the same as the air applied configuration, but uses a different actuator which requires fluid pressure to release the brake. The fluid pressure is absolutely proportional to the brake force. Increasing the pressure will decrease the brake torque and vice versa.

All 5019 brake caliper models can be used in either hydraulic or pneumatic applications, since its 'O' ring and piston construction will not be damaged by hydraulic fluid. The spring applied actuator is available with many spring combinations, including adjustable springs, for various brake torques.

The standard brake lining supplied by Kobelt is asbestos free, and was engineered to provide a coefficient of friction of approximately 0.45 to 0.55. The lining remains fairly stable up to 750°F (400°C).

The brake shoe bearings are detachable from the brake shoe itself. This design allows for the installation of shims between the bearing and the brake shoes. Installing shims between these two items will reduce the clearance between the brake shoes. The brake caliper for this reason can be adapted to various sizes of thickness. Maximum disc thickness however, is ¾". The 5019 is available foot mount or side mount.

### ORDERING INFORMATION

- R Manual Release
- T Adjustable Springs
- W Side Mount

Example: 5019-SR is for Spring Applied caliper with manual release.

When ordering brake calipers for discs smaller than the standard thickness, add the last four digits of the appropriate shim kit. Example: 5019-S0625 is for 5019-S caliper set for 5/8" thick disc.

A variety of custom made discs are available. For discs thinner than the standard thickness refer to the shim kit table below.

Max disc thickness	Part Number	Total shim size
.625 in. (16 mm)	5019-0625	0.200 in. (5 mm) 1 shim per side
.375 in. (10 mm)	5019-0375	0.400 in. (10 mm) 2 shims per side

### SPECIFICATIONS

Clamping force	5250 lbf	(23.3 kN)
Max. disc thickness	0.75 in.	(20 mm)
Req. disc face	2 in.	(51 mm)
Total lining area	18 sq. in.	(116 sq. cm)
Lining thickness	0.312 in.	(8 mm)
Max. allowable lining wear	0.14 in.	(3.5 mm)
Average wear rate	0.005 cu. in./HP-hr	(0.082 c.c./HP-hr)
Coefficient of friction	0.45 – 0.5	at 20° - 260°C
Maximum release pressure	120 psi	(8.3 bar)
Maximum pressure	250 psi	(17 bar)
Actuator volume	9 cu. in.	(147 cu. cm)
Weight	17 lb.	(7.7 kg)
Material	Die cast silicon bronze with stainless steel hardware	

**IMPORTANT:** Use only hydraulic fluid or air. Standard seals are NOT compatible with brake fluid.

### STANDARD VENTILATED KOBELT DISCS: 0.75 in. (19 mm)

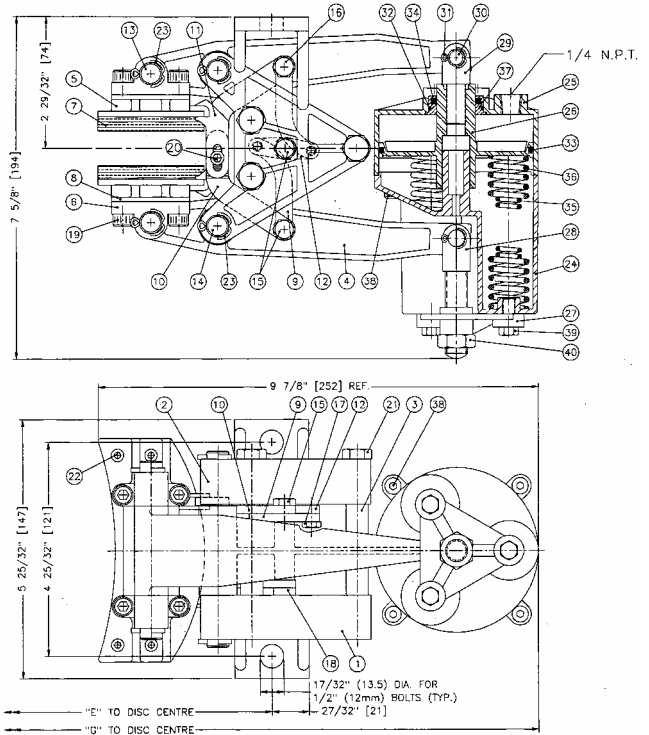
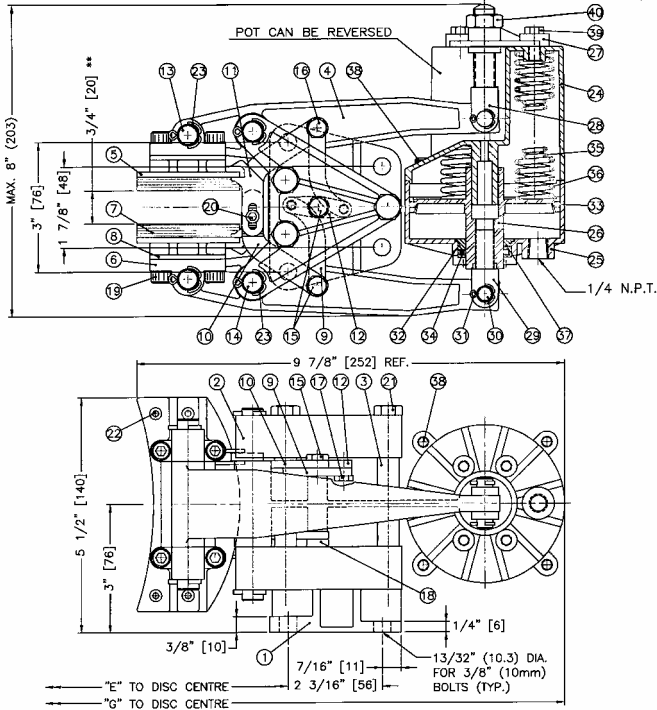
Disc Diameter	Disc Diameter				
	9	12	15	18	20
inches	9	12	15	18	20
mm	229	305	381	457	508
Acting Radius	Acting Radius				
	0.29	0.42	0.54	0.67	0.75
ft	0.29	0.42	0.54	0.67	0.75
meter	0.09	0.13	0.17	0.20	0.23
Torque ‡	Torque ‡				
	624	912	1201	1490	1682
ft-lb	624	912	1201	1490	1682
kg-m	86	126	166	206	233
Maximum RPM	6150	4550	3600	3000	2680

‡ Brake torques are theoretical values only

**FOOT MOUNT**

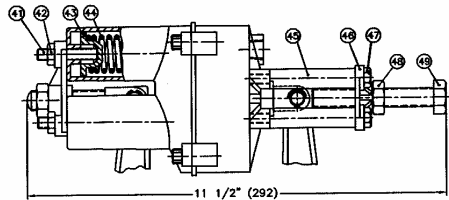
**5019-S**

**SIDE MOUNT**



All dimensions in inches (mm)

**Adjustable springs and manual release screw option**

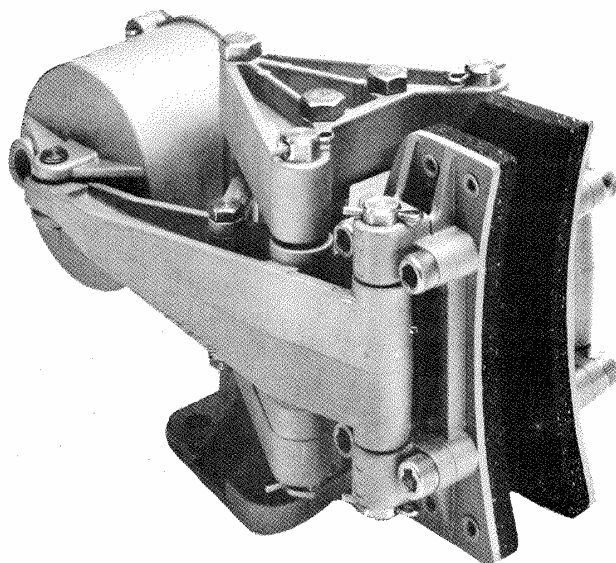


Disc diam.(inches) (mm)	9 229	12 305	15 381	20 508
Dim. "E" (inches) (mm)	5.6 141	7.1 179	8.6 217	11.1 281
Dim. "G" (inches) (mm)	12.1 306	13.5 344	15.1 383	17.6 446

**CAUTION:** When dismantling the actuator, it is important that it is retained in a press before the assembly screws are removed.

Item	Qty	Part No.	Description	Item	Qty	Part No.	Description
1	1	5019-0001	Foot	<b>6207 Spring Applied Pot</b>			
1	1*	5019-0102L	L.H. Saddle (Sidemount)	24	1	6207-0001	Spring Housing
2	2*	5019-0002	Saddle	25	1	6207-0002	Piston Housing
2	1*	5019-0102R	R.H. Saddle (Sidemount)	26	1	6207-0003	Piston
3	3	5019-0003	Spacer	27	1	6207-0004	Mounting Bracket
4	2	5019-0004	Lever	28	1	6207-0005L	Clevis
5	2	5019-0005	Shoe	29	1	6207-0005S	Clevis
6	4	5019-0006	Hinge Block	30	2	6207-0010S	Pin
7	2	5019-0007	Lining	31	4	1026-0312	Cotter Pin
8	*	5019-0008	Shim	32	1	1101-0024	"O" Ring
9	2	5019-0010	Connecting Link	33	1	1101-0236	"O" Ring
10	2	5019-0011	Balancing Link No. 1	34	1	1101-0212	"O" Ring
11	2	5019-0012	Balancing Link No. 2	35	3	1201-0151	Spring
12	1	5019-0019	Centre Pivot Link	36	3	1201-0152	Spring
13	2	5019-0021	Shoe Pin	37	1	6207-0011	Bushing
14	2	5019-0022	Saddle Pin	38	4	1002-1116	Socket Hd Screw
15	3	5019-0024	Shoulder Bolt	39	3	1001-1110	Hex Hd Bolt
16	1	5019-0025	Shoulder Bolt	40	1	1022-0214	Jam Nut
17	2	5019-0026	Shoulder Bolt	<b>Adjustable Spring Option (-T)</b>			
18	1	5019-0027	Spacer	41	3	1016-1124	Set Screw
19	8*	1002-1112	Socket Hd. Cap Screw (standard)	42	3	1022-0211	Jam Nut
19	8*	1002-1116	Socket Hd. Cap Screw (-0625/0375 shim kit)	43	3	6207-0009	Spring Retainer
20	2	1002-0808	Socket Hd. Cap Screw	44	3	1201-0156	Spring
21	3*	1001-1280	Hex Hd Bolt	<b>Manual Release Option (-R)</b>			
21	3*	1001-1264	Hex Hd Bolt (Sidemount)	45	4	6207-0007	Spacer
22	12	1033-0806	Rivet	46	1	6207-0006	Manual Release Bracket
23	8	1026-0516	Cotter Pin	47	4	1001-1044	Hex Hd Screw
				48	1	1022-0214	Jam Nut
				49	1	6207-0008	Release Screw

\* Quantity may vary with options



## MODEL 5019-A FLUID APPLIED BRAKE CALIPER

This caliper was especially designed for medium and light duty applications, and is used in almost every industry. Because of its compact and rugged design, it can be fitted into very small spaces, and will do a superb job for years.

The usual Kobelt high quality engineering is all incorporated in this small brake. The caliper is equipped with balancing links to ensure even lining wear. Construction is all die-cast bronze and stainless steel. The 5019 is available in both foot mount and side mount configurations. When ordering, please specify your requirements.

### SPECIFICATIONS

Clamping force	5250 lbf	(23.3 kN)
Max. disc thickness	0.75 in.	(20 mm)
Req. disc face	2 in.	(51 mm)
Total lining area	18 sq. in.	(116 sq. cm)
Lining thickness	0.312 in.	(8 mm)
Max. allowable lining wear	0.14 in.	(3.5 mm)
Average wear rate	0.005 cu. in./HP-hr	(0.082 c.c./HP-hr)
Coefficient of friction	0.45 – 0.5	at 20° - 260°C
Maximum pressure	100 psi	(6.9 bar)
Actuator volume	9 cu. in.	(147 cu. cm)
Weight	15 lb.	(6.8 kg)
Material	Die cast silicon bronze with stainless steel hardware	

**IMPORTANT:** Use only hydraulic fluid or air. Standard seals are NOT compatible with brake fluid.

### STANDARD VENTILATED KOBELT DISCS: 0.750 in. (19 mm)

Disc Diameter	9	12	15	18	20
inches	9	12	15	18	20
mm	229	305	381	457	508
Acting Rad.					
ft	0.29	0.42	0.54	0.67	0.75
meter	0.09	0.13	0.17	0.20	0.23
Torque ‡					
ft-lb	624	912	1201	1490	1682
kg-m	86	123	166	206	233
Maximum RPM	6150	4550	3600	3000	2680

‡ Brake torques are theoretical values only

### ORDERING INFORMATION

5019-A	Fluid applied brake with standard foot
5019-AW	Fluid applied brake with side mount foot

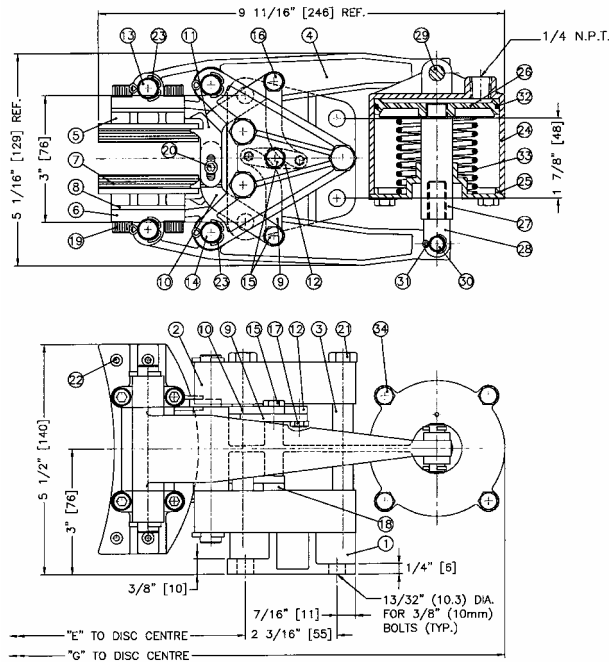
When ordering brake calipers for discs smaller than the standard thickness, add the last four digits of the appropriate shim kit. Example: 5019-A 0625 is for 5019-A caliper set for 5/8" thick disc.

A variety of custom made discs are available. For discs thinner than the standard thickness refer to the shim kit table below.

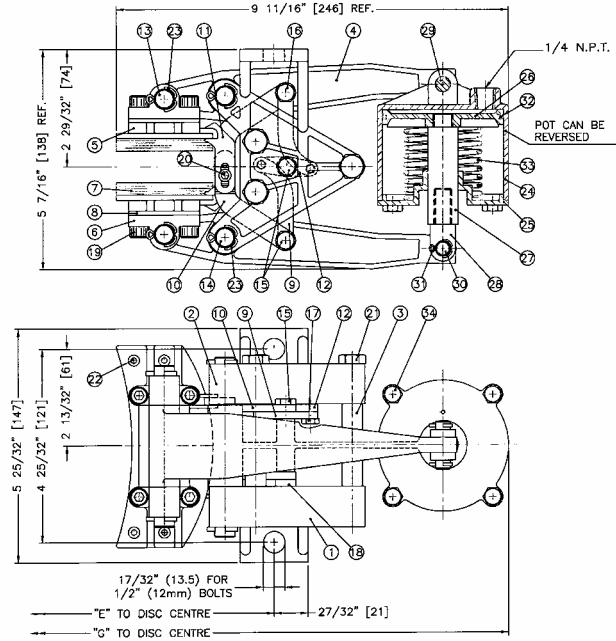
Max disc thickness	Part Number	Total shim size
0.625 in. (16 mm)	5019-0625	0.20 in. (5 mm) 1 shim per side
0.375 in. (10 mm)	5019-0375	0.40 in. (10 mm) 2 shims per side

# MODEL 5019-A

## FOOT MOUNT



## SIDE MOUNT



All Dimensions in inches (mm)

Item	Qty	Part Number	Description
1	1	5019-0001	Foot
1	1*	5019-0102L	L.H. Saddle (Side mount)
2	2 *	5019-0002	Saddle
2	1 *	5019-0102R	R.H. Saddle (Side mount)
3	3	5019-0003	Spacer
4	2	5019-0004	Lever
5	2	5019-0005	Shoe
6	4	5019-0006	Hinge Block
7	2	5019-0007	Lining
8	*	5019-0008	Shim
9	2	5019-0010	Connecting Link
10	2	5019-0011	Balancing Link No. 1
11	2	5019-0012	Balancing Link No. 2
12	1	5019-0019	Centre Pivot Link
13	2	5019-0021	Shoe Pin
14	2	5019-0022	Saddle Pin
15	3	5019-0024	Shoulder Bolt
16	1	5019-0025	Shoulder Bolt
17	2	5019-0026	Shoulder Bolt
18	1	5019-0027	Spacer
19	8 *	1002-1112	Socket Hd. Cap Screw (standard)
19	8 *	1002-1116	Socket Hd. Cap Screw (5019-0625 shim kit)
20	2	1002-0808	Socket Hd Screw
21	3 *	1001-1280	Hex Hd Bolt
21	3 *	1001-1264	Hex Hd Bolt (Side mount)
22	12	1033-0806	Rivet
23	8	1026-0516	Cotter Pin

\* Quantity may vary with options

Disc diameter					
inches	9	12	15	18	20
mm	229	305	381	457	508
Dimension "E"					
inches	5.6	7.1	8.6	10.1	11.1
mm	141	179	217	256	281
Dimension "G"					
inches	12.1	13.6	15.1	16.6	17.6
mm	306	344	383	421	446

### 6107 Fluid Applied Pot Part

Item	Qty	Number	Description
24	1	6107-0001	Piston Housing
25	1	6107-0002	End Cap
26	1	6107-0003	Piston
27	1	6107-0004	Piston Rod
28	1	6207-0005	Clevis
29	1	6112-0010-S	Pin
30	1	6207-0010S	Pin
31	4	1026-0312	Cotter Pin
32	1	1101-0232	"O" Ring
33	1	1201-0054	Spring
34	4	1001-1008	Hex Hd Cap Screw