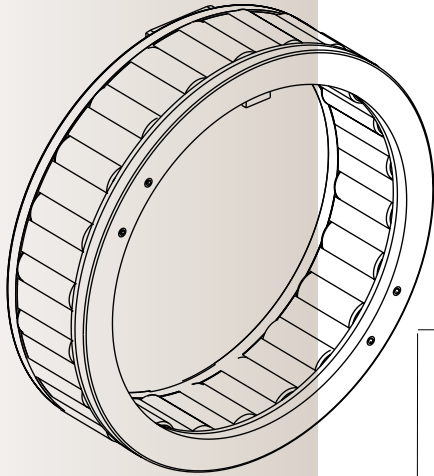


Marland HBG Clutches

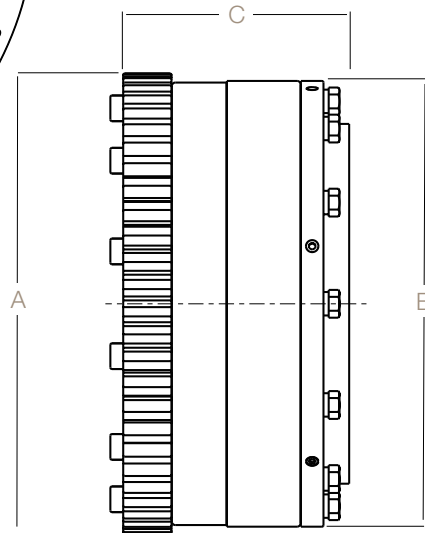
For High Torque Drawworks/Drill Rig Applications



HBG-94MA

New roller cage design delivers 50% more torque

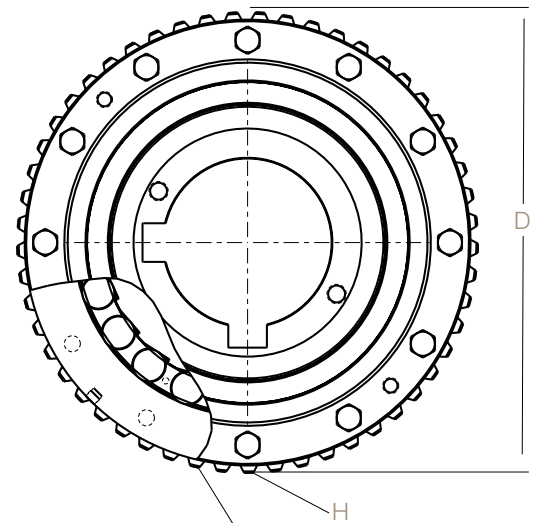
- Increased spring tension guards against load damage
- Higher strength materials improve cage durability



50+ Year proven design industry standard

Full-phased Cam and Rollers

- Uniform load distribution
- Simultaneous loading
- Accurate relative positions
- No skewing as found in other designs
- No loose parts
- No backlash



High strength - heat-treated alloy steel geared, driveplate with hardened teeth

Improved Design to Meet Marketplace Demand

Type HBG Size	Rated Torque in lb.ft.	Maximum Bore & Keyway		Dimensions in Inches				No. of Teeth Pitch	Oil Cap Pints	Shipping Weight in lbs. HBG
		Tapered & Straight	Keyway @ Max. Bore	A	B	C	D			
63MA	63,000	8	2 x 0.688	17.92	17.34	8.75	18.62	53 3/6	2	515
New roller cage design only impacts dimension "C". Dimension "C" consistent with competitive brands.										
94MA	94,000	8	2 x 0.688	17.92	17.34	10.00	18.62	53 3/6	2.25	560