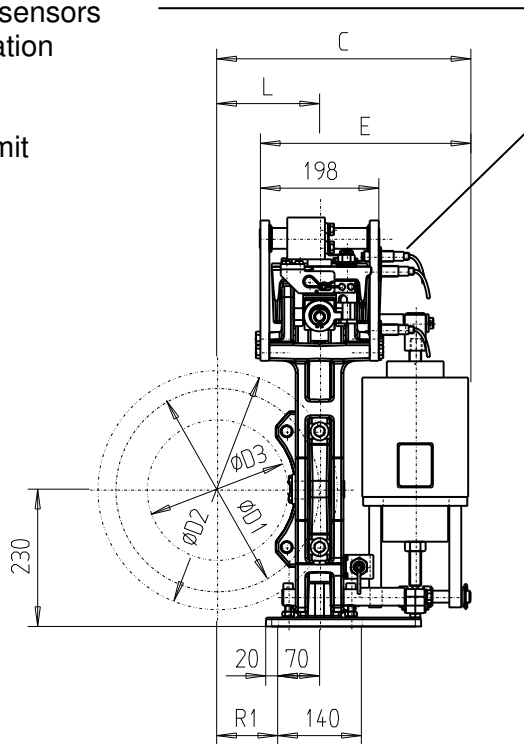
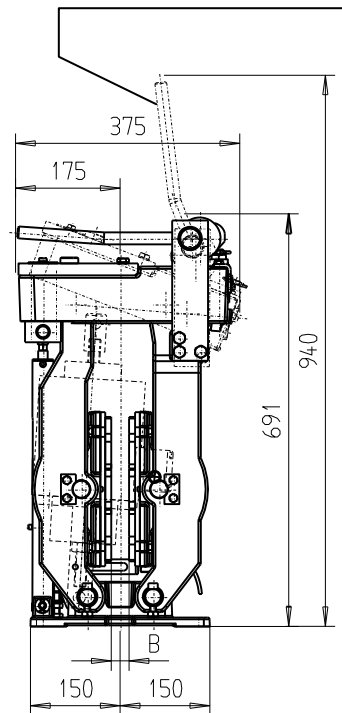


optional sensors
for indication
- open
- closed
- wear limit

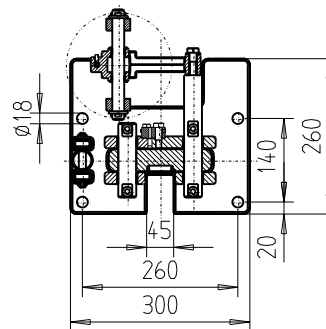


optional:
manual release



- D1: theoretical friction diameter
- D2: outer disc diameter
- D3: max. coupling or hub diameter
- B: disc width = 30 mm
- L: R1 + 70 mm

Linings standard: sinter
optional: organic



					solenoid-size M4 (= GH160.28 + SCU)		solenoid-size M6 (= GH180.08 + SCU)		
E					347		352		
weight without solenoid ~ 80 kg					Braking torque M (in combination with SCU) in Nm with $\mu = 0,35$				
D2	D1	D3	R1	C	M _{min}	M _{max}	C	M _{min}	M _{max}
315	225	130	47,5	365	370	920	370	620	1380
355	285	185	75,5	395	480	1170	400	800	1750
400	340	235	102	420	560	1400	425	950	2080
450	390	285	127	445	650	1600	450	1080	2400
500	437	335	152	470	730	1800	475	1200	2680
560	495	390	182	500	830	2000	505	1360	3000
630	565	455	217	535	940	2300	540	1560	3480
710	653	530	257	575	1100	2700	580	1800	4000