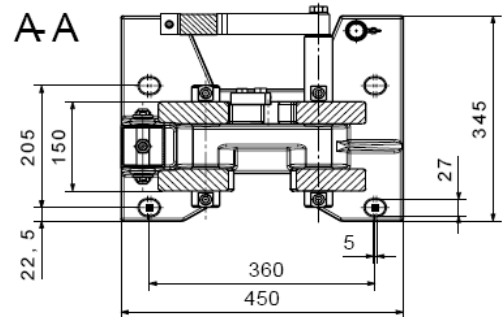


- A1: friction surface per lining = 300 cm²
- D1: theoretical friction diameter
- D2: outer disc diameter
- D3: max. coupling or hub diameter
- B: disc width = 30 mm
- L: R1 + 103 mm



| | | | | | thruster-type Ed 121/6 = Eldro EB 1250-60 = Elhy | thruster-type Ed 201/6 = Eldro EB 2000-60 = Elhy | thruster-type Ed 301/6 = Eldro EB 3000-60 = Elhy | | | |
|----------------------------------|------|-----|-----|-----|--|--|--|------------------|------------------|------------------|
| weight without thruster: ~315 kg | | | | | Braking torque M in Nm with $\mu = 0,35$ | | | | | |
| D2 | D1 | D3 | R1 | C | M _{min} | M _{max} | M _{min} | M _{max} | M _{min} | M _{max} |
| 560 | 440 | 298 | 140 | 574 | 2650 | 6000 | 3200 | 9200 | 2700 | 12400 |
| 630 | 530 | 380 | 181 | 615 | 3200 | 7250 | 3850 | 11100 | 3250 | 14950 |
| 710 | 610 | 455 | 221 | 655 | 3700 | 8350 | 4450 | 12800 | 3750 | 17200 |
| 800 | 700 | 535 | 266 | 700 | 4250 | 9600 | 5100 | 14700 | 4300 | 19750 |
| 900 | 790 | 630 | 316 | 750 | 4750 | 10800 | 5750 | 16550 | 4850 | 22250 |
| 1000 | 890 | 725 | 366 | 800 | 5350 | 12200 | 6500 | 18650 | 5450 | 25100 |
| 1250 | 1130 | 965 | 491 | 925 | 6800 | 15500 | 8250 | 23700 | 6900 | 31850 |