

C-Track Festoon Systems

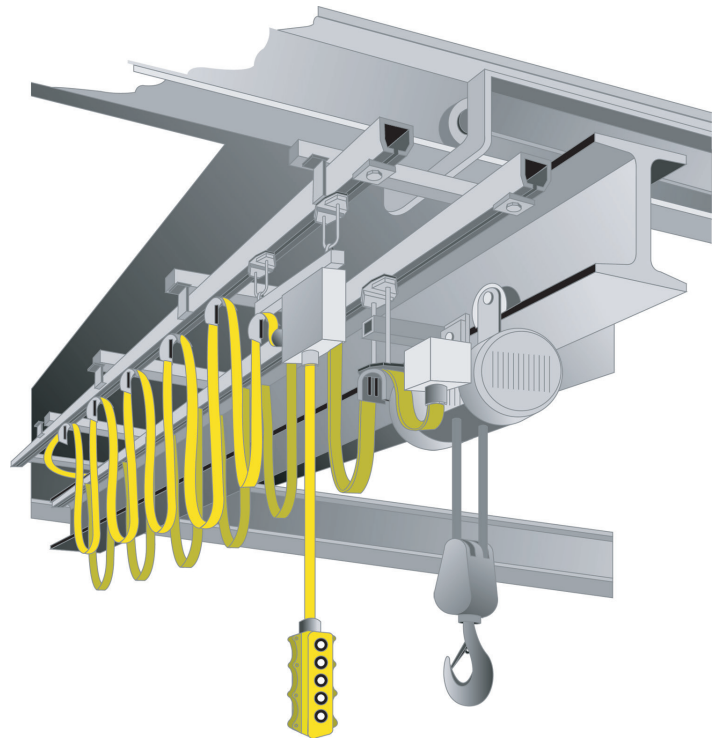
Magnetek's Electromotive Systems Standard C-Track and Heavy-Duty C-Track Festoon Systems efficiently and economically deliver power and control to cranes used in a variety of industrial environments. These versatile systems can be furnished with a myriad of options, offering you maximum flexibility in the design of your festoon system. Components are available from stock, allowing you to meet the needs of today's most demanding customers. In addition, Magnetek offers a full range of round, flat, and specialty cable, designed specifically for festooning applications.

Features

- Standard or Heavy-Duty C-Track
- Stainless or galvanized steel
- A variety of track support hardware allows you to mount your system at the recommended 5-foot intervals
- Track provided in convenient lengths, connected with a simple coupling assembly
- Single and double trolley saddles for both flat and round cable
- 3" and 5" trolley frames
- Trolleys available in a variety of design configurations including tow and control box trolleys.
- All trolleys have ball bearing wheels and are capable of supporting 150 lbs. each.

Build your own system with our festooning hardware and cable, or let Magnetek completely assemble and wire your system to your specifications. Whatever your requirements, Magnetek can provide the power and control you need in a C-Track Festoon System.

For more information contact Magnetek Material Handling or your local Magnetek Sales Representative.



MAGNETEK
MATERIAL HANDLING

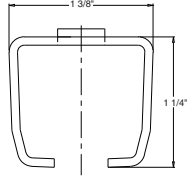
**ELECTROMOTIVE SYSTEMS
TELEMOTIVE
ENRANGE
MONDEL**

YOUR ONE-STOP-SOURCE FOR MATERIAL HANDLING CONTROL SOLUTIONS

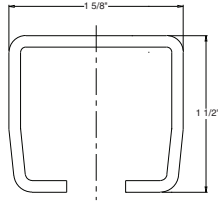
N49 W13650 Campbell Drive ♦ Menomonee Falls, WI 53051 ♦ p:1.800.288.8178 ♦ f: 1.800.298.3503 ♦ w: www.magnetekmh.com

Track Sections and Cross Arm Brackets

Standard Duty



Heavy-Duty

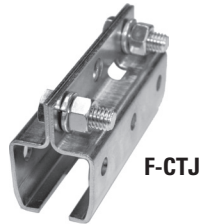


Track System	Catalog Number	Weight
Standard Duty	F-CT10 (10' length galvanized)	10 lbs.
	F-CT20 (20' length galvanized)	20 lbs.
	F-CTX (X' length galvanized)*	1.0 lbs./ft.
	F-CT10-SS (10' length stainless steel)	10 lbs.
Heavy-Duty	F-12CT10 (10' length galvanized)	15 lbs.
	F-12CT20 (20' length galvanized)	30 lbs.
	F-12CTX (X' length galvanized)*	1.5 lbs./ft.

* C-Track sections may be cut to specific lengths to be used as cross arm brackets.

Joint Assembly

Heavy gauge plated steel coupling to join and align two C-Track sections.



Track System	Catalog Number	Weight
	F-CTJ (gold dichromate finish)	1.0 lbs.
Standard Duty	F-CTJ-SS (stainless steel)	1.0 lbs.
	F-CTJW (weld sleeve)*	1.0 lbs.
Heavy-Duty	F-12CTJ (gold dichromate finish)	1.0 lbs.

* Weld Sleeve is not plated.

Tow Arm

18" section of C-Track on a mounting bracket. Unit is to be mounted on moving equipment, which is to be electrified. One required with each tow trolley.



Track System	Catalog Number	Weight
Standard & Heavy-Duty	F-CTA (powder coat finish)	3.5 lbs.
Standard Duty	F-CTA-SS (stainless steel)	3.5 lbs.

Cross Arm Mounting Bracket

Heavy gauge steel for mounting C-Track cross arm brackets to a fixed structure.



Track System	Catalog Number	X-DIM*	Weight
Standard & Heavy-Duty	F-CTC	.50"	0.25 lbs.
	F-CTC-A	0.75"	0.25 lbs.
	F-CTC-B	0.625"	0.25 lbs.
	F-CTC-C	1.00"	0.25 lbs.

* Flange thickness of mounting structure.

Hanger Assembly

Standard Profile

Heavy gauge steel for use when supporting C-Track in areas where extra spacing may be required.



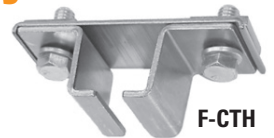
Track System	Catalog Number	Weight
Standard Duty	F-CTHB (gold dichromate finish)	0.4 lbs.

(Support C-Track every 5 feet.)

Hanger Assembly

Low Profile

Heavy gauge steel for use when clamping C-Track from C-Track cross arm brackets.



Track System	Catalog Number	Weight
Standard Duty	F-CTH (gold dichromate finish)	0.6 lbs.
	F-CTH-SS (stainless steel)	0.6 lbs.
Heavy-Duty	F-12CTH (gold dichromate finish)	1.1 lbs.

(Support C-Track every 5 feet.)

Hanger Assembly

C-Hanger

Heavy gauge steel for use when supporting C-Track with single anchor bolt for quick and easy installation.



Track System	Catalog Number	Weight
Standard Duty	F-CTH-C (galvanized)	0.4 lbs.

(Support C-Track every 5 feet.)

End Cable Clamp

Nylon molded cable saddle with hardware to secure cable at the storage end of the track. One required for each run of C-Track.

F-CTE



Track System	Catalog Number	Weight
Standard & Heavy-Duty	F-CTE	0.75 lbs.
	F-CTE-2 (double saddle)	1.25 lbs.
	R-CTE (single round saddle)	0.75 lbs.
	R-CTE-2 (double round saddle)	1.25 lbs.
Standard Duty	F-CTE-SS (stainless steel)	0.75 lbs.

End Stop

For use in closing the active travel end of a C-Track run. One required for each run of C-Track.

F-CTS



Track System	Catalog Number	Weight
Standard & Heavy-Duty	F-CTS	0.24 lbs.
Standard Duty	F-CTS-SS (stainless steel)	0.24 lbs.

End Cap

Plastic boot fits over each end on C-Track. Two required per each run of C-Track.

F-EC



Track System	Catalog Number	Weight
Standard & Heavy-Duty	F-EC	0.1 lbs.

Trolleys

Nylon cable saddle and plated steel trolley used to support flat cable. Cables may be stacked in the saddle. Flat and round cable saddle configurations are available. Contact factory. 150 lb. capacity each trolley.



Flat Cable Trolley
F-CC5



Flat Cable Double Saddle Trolley
F-CC5-2

Tow Trolley

Trolley and saddle assembly used in conjunction with a tow arm assembly. Cables may be stacked in the saddle. Flat and round cable saddle configurations are available.

F-CCT



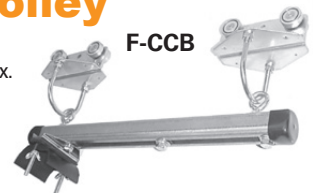
Track System	Catalog Number	Weight
Standard Duty	F-CCT	1.6 lbs.
	F-CCTX1 (corrosion resistant*)	1.6 lbs.
	F-CCT-2 (double saddle)	2.25 lbs.
	R-CCT (single round saddle)	2.0 lbs.
	R-CCT-2 (double round saddle)	2.25 lbs.
Heavy-Duty	F-12CCT (single saddle)	2.1 lbs.
	F-12CCT-2 (double saddle)	2.9 lbs.
	R-12CCT (single round saddle)	2.65 lbs.

* Corrosion resistant tow trolley includes stainless steel frame and wheels.

Control Box Trolley

Two trolleys mounted on a C-Track section used to support a control box. Unit includes hardware and cable saddle. Flat and round cable saddle configurations are available.

F-CCB



Track System	Catalog Number	Weight
Standard Duty	F-CCB	5.00 lbs.
	F-CCBX1 (corrosion resistant*)	5.00 lbs.
	F-CCB-2 (double saddle)	5.30 lbs.
	R-CCB (single round saddle)	5.30 lbs.
Heavy-Duty	F-12CCB (single saddle)	5.40 lbs.
	F-12CCB-2 (double saddle)	5.70 lbs.
	R-12CCB (single round saddle)	5.40 lbs.

* Corrosion resistant trolley includes stainless steel frames and wheels.

Track System	Catalog Number	Weight
Standard Duty-3" Trolley Frame	F-CC3	.7 lbs.
	F-CC3X1 (corrosion resistant*)	.7 lbs.
	R-CC3 (single round saddle)	1 lbs.
Standard Duty-5" Trolley Frame	F-CC5	1 lbs.
	F-CC5X1 (corrosion resistant*)	1 lbs.
	F-CC5-2 (double saddle)	1.3 lbs.
	R-CC5 (single round saddle)	1.3 lbs.
	R-CC5-2 (double round saddle)	1.6 lbs.
Heavy-Duty	F-12CC5 (single saddle)	1.4 lbs.
	F-12CC5-2 (double saddle)	1.7 lbs.
	R-12CC5 (single round saddle)	1.7 lbs.
	R-12CC5-2 (double round saddle)	2 lbs.

* Corrosion resistant trolley stainless steel frame and wheels.

Electromotive™ Cable

Magnetek furnishes a variety of Electromotive Systems cable specifically designed for festoon applications. The cable is available in a round or flat design, comes standard in a safety yellow color, and most sizes are available for same day shipment.

Standard Cable Specifications* :

- Indoor/Outdoor festoon flat cable and round pendant control cable
- 105° C (221° F) 600 volt A.C., 250 volt D.C.
- Conductors are annealed copper
- Each conductor has color coded jacket
- Jacket rating -40° C (-40° F) to 105° C (221° F).**
- Resistant to UV, ozone, water, oil and weather
- 4, 8, or 12 conductor flat cable
- 8, 12, 16 or 24 conductor round pendant control cable
- #2 Awg through #16 flat cable
- #16 Awg round pendant control cable

* Special cables are also available—contact the factory for more information.

Festoon Cable		Cable Grips		
Catalog Number	AWG/Conductors	Catalog Number	For Cables	Thread Type
F-2/4	2 Awg-4 Conductors	F-4CG1	(1) F-6/4 or (2)F-12/8	1.50" NPT
F-4/4	4 Awg-4 Conductors	F-4CG2	(1) F-10/4	1.00" NPT
F-6/4	6 Awg-4 Conductors	F-4CG3	(1) F-12/4 or (1) F-14/4	1.00" NPT
F-8/4	8 Awg-4 Conductors	F-4CG4	(1) F-2/4	2.00" NPT
F-10/4	10 Awg-4 Conductors	F-4CG11	(1) F-12/8	1.50" NPT
F-12/4	12 Awg-4 Conductors	F-4CG3	(1) F-12/4 or (1) F-14/4	1.00" NPT
F-14/4	14 Awg-4 Conductors	F-4/8CG2	(1) F-12/4 or (1) F-14/4 & (1) F-14/8 or (1) F-16/8	1.25" NPT
F-12/8	12 Awg-8 Conductors	F-8CG1	(1) F-14/8 or (1) F-16/8	1.25" NPT
F-14/8	14 Awg-8 Conductors	F-8CG2	(2) F-14/8 or (2) F-16/8 or (1) F-8/4	1.25" NPT
F-16/8	16 Awg-8 Conductors	F-12CG1	(1) F-14/12 or (1) F-16/12	2.00" NPT
F-14/12	14 Awg-12 Conductors	F-12CG2	(2) F-14/12 or (2) F-16/12 or (1) F-4/4	2.00" NPT
F-16/12	16 Awg-12 Conductors	F-12CG3	(3) F-14/12 or (3) F-16/12	2.00" NPT

Cable available in specific lengths or in full reels of 500 or 1000 feet.

Cable available in black color—Add Suffix "-B" to the catalog number.

**Magnetek's flat cable is rated -40°C to 105°C. Round cable is rated -10°C to 90°C. However, they are not recommended for severe flexing or impact at temperatures below -10°C.

For severe flexing applications below -10°C, contact the factory for more information

Pendant		Cable Grips		
Catalog Number	AWG/Conductors	Catalog Number	Cable Diameter	Thread Type
	Strain Relief			
R-16/8/SR	16 Awg-8 Conductors	R-CG0	0.236" to 0.472" Inches Cable	.050" NPT
R-16/12/SR	16 Awg-12 Conductors	R-CG1	0.394" to 0.709" Inches Cable	0.75" NPT
R-16/16/SR	16 Awg-16 Conductors	R-CG2	0.591" to 1.000" Inches Cable	1.00" NPT
R-16/24/SR	16 Awg-24 Conductors			
	Non Strain Relief			
R-16/8	16 Awg-8 Conductors			
R-16/12	16 Awg-12 Conductors			
R-16/16	16 Awg-16 Conductors			
R-16/24	16 Awg-24 Conductors			
R-16/30	16 Awg-30 Conductors			

Special flat and round cables are available. Contact the factory for additional information.



MAGNETEK
MATERIAL HANDLING

**ELECTROMOTIVE SYSTEMS
TELEMOTIVE
ENRANGE
MONDEL**

www.magnetekmh.com

N49 W13650 Campbell Drive ♦ Menomonee Falls, WI 53051 ♦ p:1.800.288.8178 ♦ f: 1.800.298.3503 ♦ w: www.magnetekmh.com