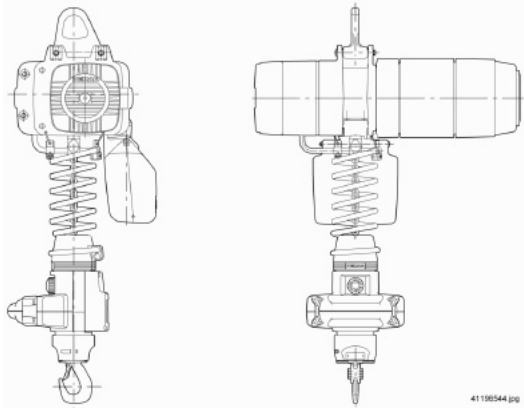


Component parts list

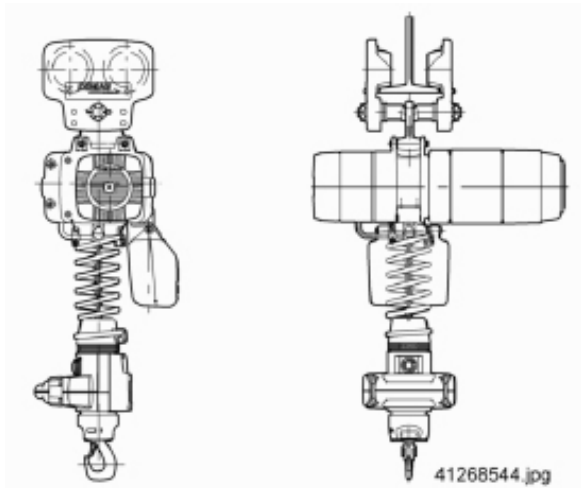
Demag Chain Hoist - Manulift DKM 2

Contents



Main/creep hoist motor	
KMK 80 Z2/8 - KMK 80 B2/8	4
KMK 80 B2/12	5
Helical gearbox, 2-stages	6
Electrical components	
Contactor control	9
DSM5 Control unit	10

Page



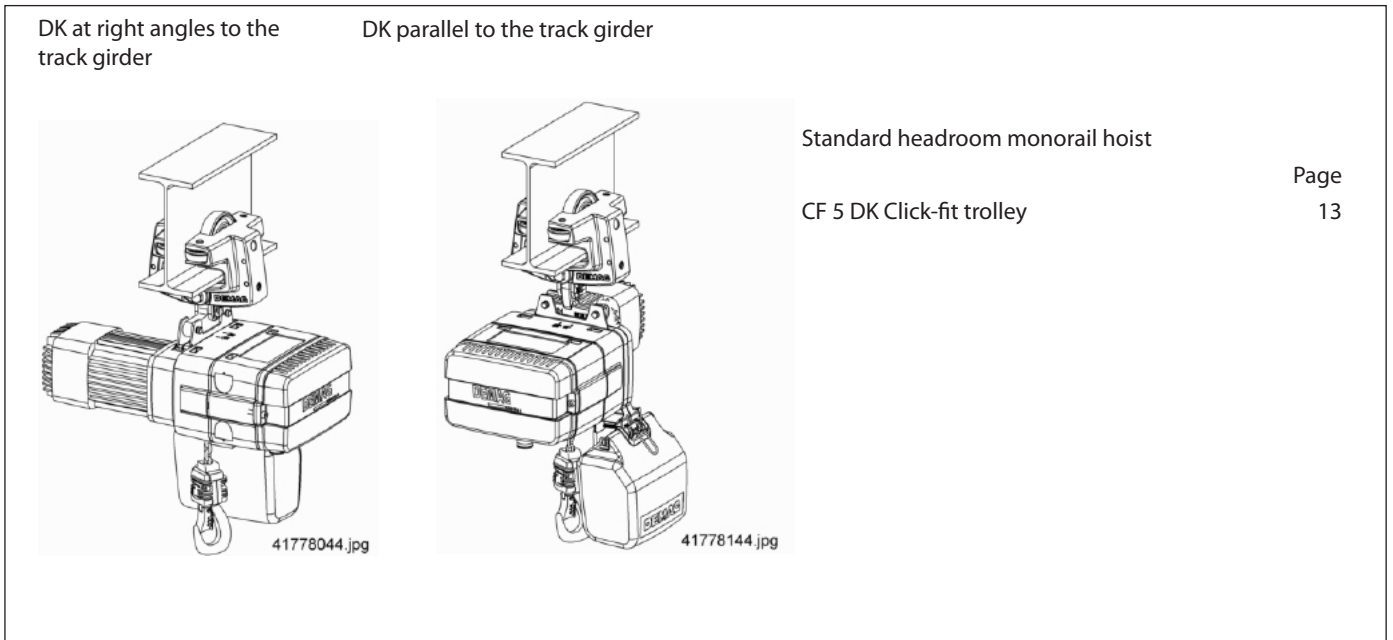
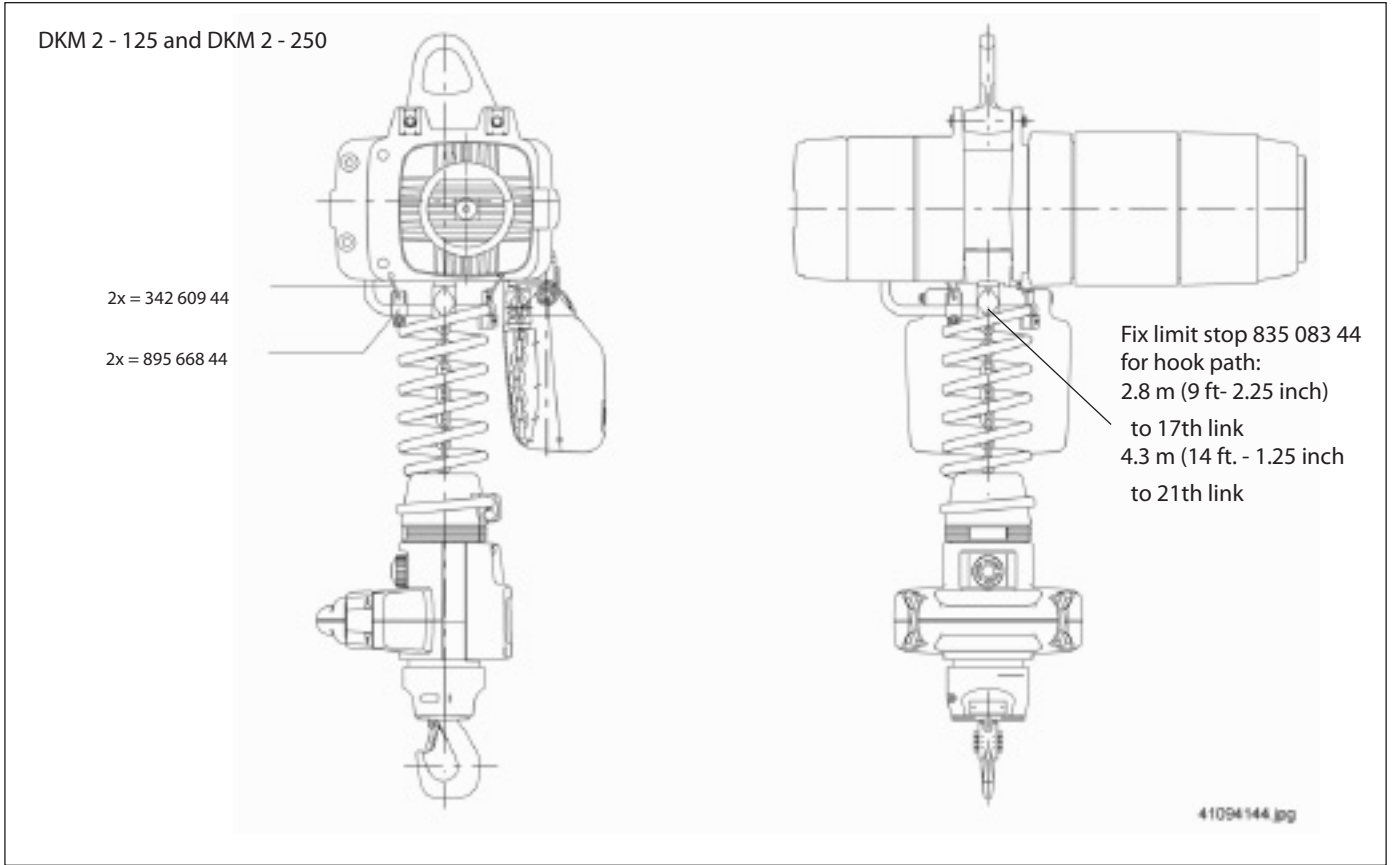
Standard headroom monorail hoist

RU 3 DK trolley,
Flange width 50 - 90 mm (2.0 -3.5 in)

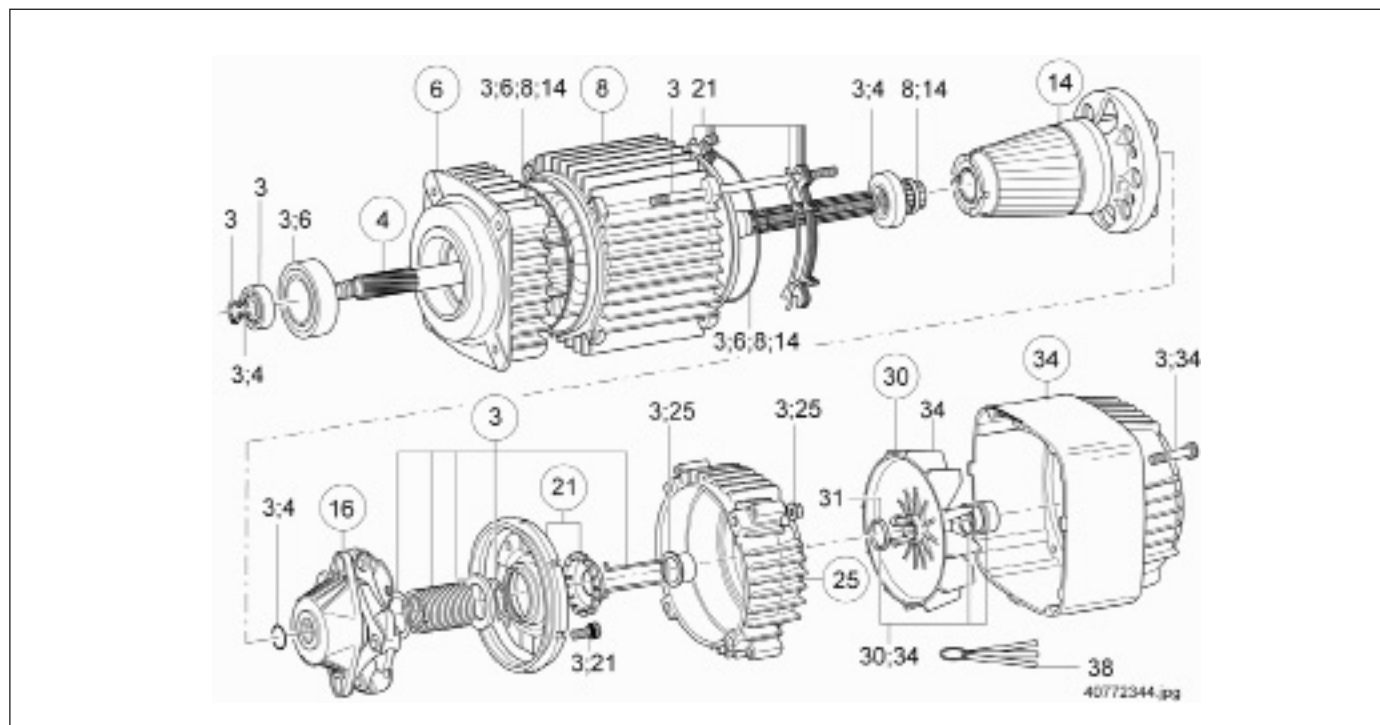
Page
12

= Alterations compared with previous issue
Example

Contents



Main/creep hoist motor KMK 80 Z 2/8 - KMK 80 B 2/8



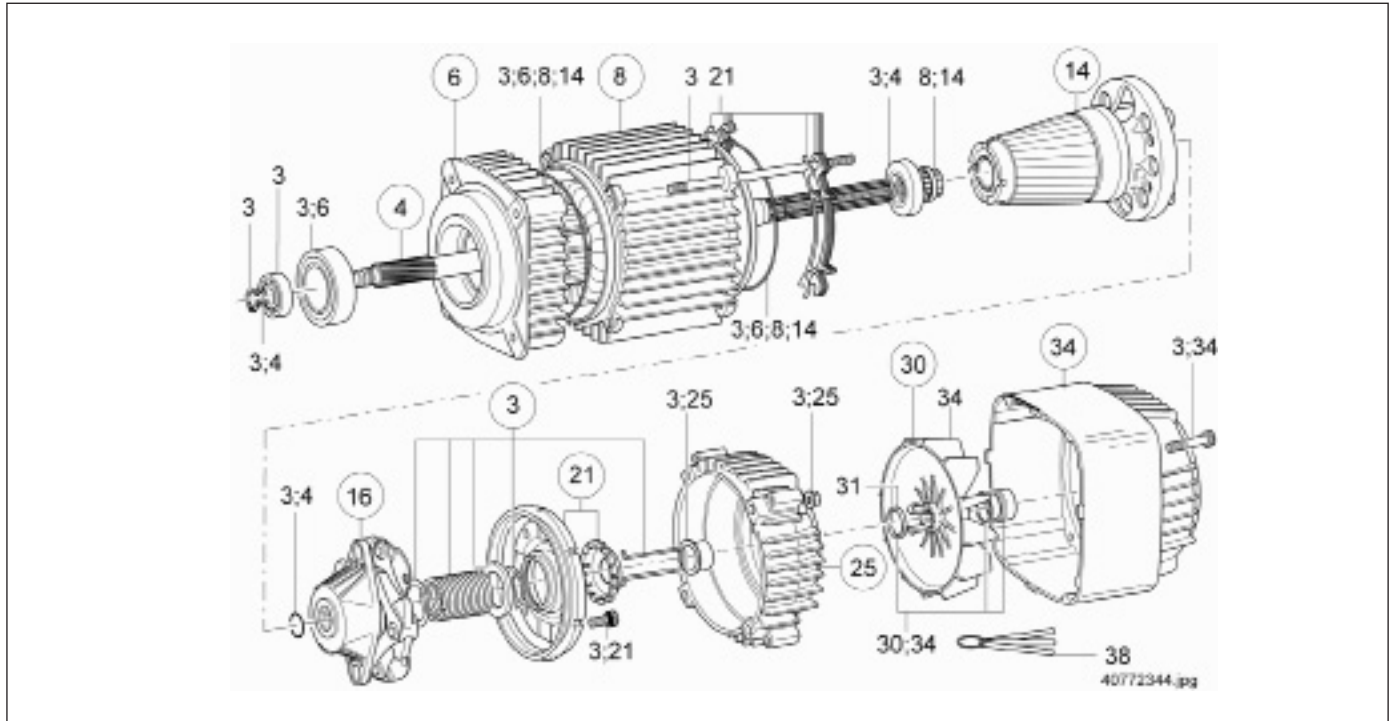
Item no.	Part no.	Quantity	Designation	Material	Standard
3	12878633	1	Small parts set KMK 80Z		
3	12878733	1	Small parts set KMK 80B		
4	13335533	1	Shaft coupling set KMK		80 Z 2/8
4	13335633	1	Shaft gearbox set KMK80B		80 B 2/8
6	83531033	1	Set intermediate flange KM80Z		
6	83531433	1	Set intermediate flange KM80B		
8	13103084	1	Stator set KMK 80Z2/8		230 V, 60Hz 1)
8	13102284	1	Stator set KMK 80Z2/8		460V, 60Hz 1)
8	13103184	1	Stator set KMK 80Z2/8		575 V, 60Hz 1)
8	13103484	1	Stator set KMK 80B2/8		230 V, 60Hz 1)
8	13102084	1	Stator set KMK 80B2/8		460 V, 60Hz 1)
8	13103284	1	Stator set KMK 80B2/8		575 V, 60Hz 1)
14	13345633	1	Rotor set KMK 80Z		Z 2/8 1)
14	13345733	1	Rotor set KMK 80B		B 2/8 1)
#	16	1	Engaging element KM 80		
21	13389533	1	Brake lining support set KM 80		
25	13361333	1	End shield set, brake side KM 80		
30	13382233	1	Fan set KM 80		
#	31			2)	
34	13382033	1	Cover and fan set		c/w item 30
38	10040984	3	Feeler gauge set		1)

22250003.tbl

1) A feeler gauge set (part no. 38) must also be ordered to adjust the air gap (adjust with feeler gauge no. 2, part no. 38).

4 # 2) also included in gearbox seal set (item no. 7). See page 7.

Main/creep hoist motor KMK 80 B 2/12



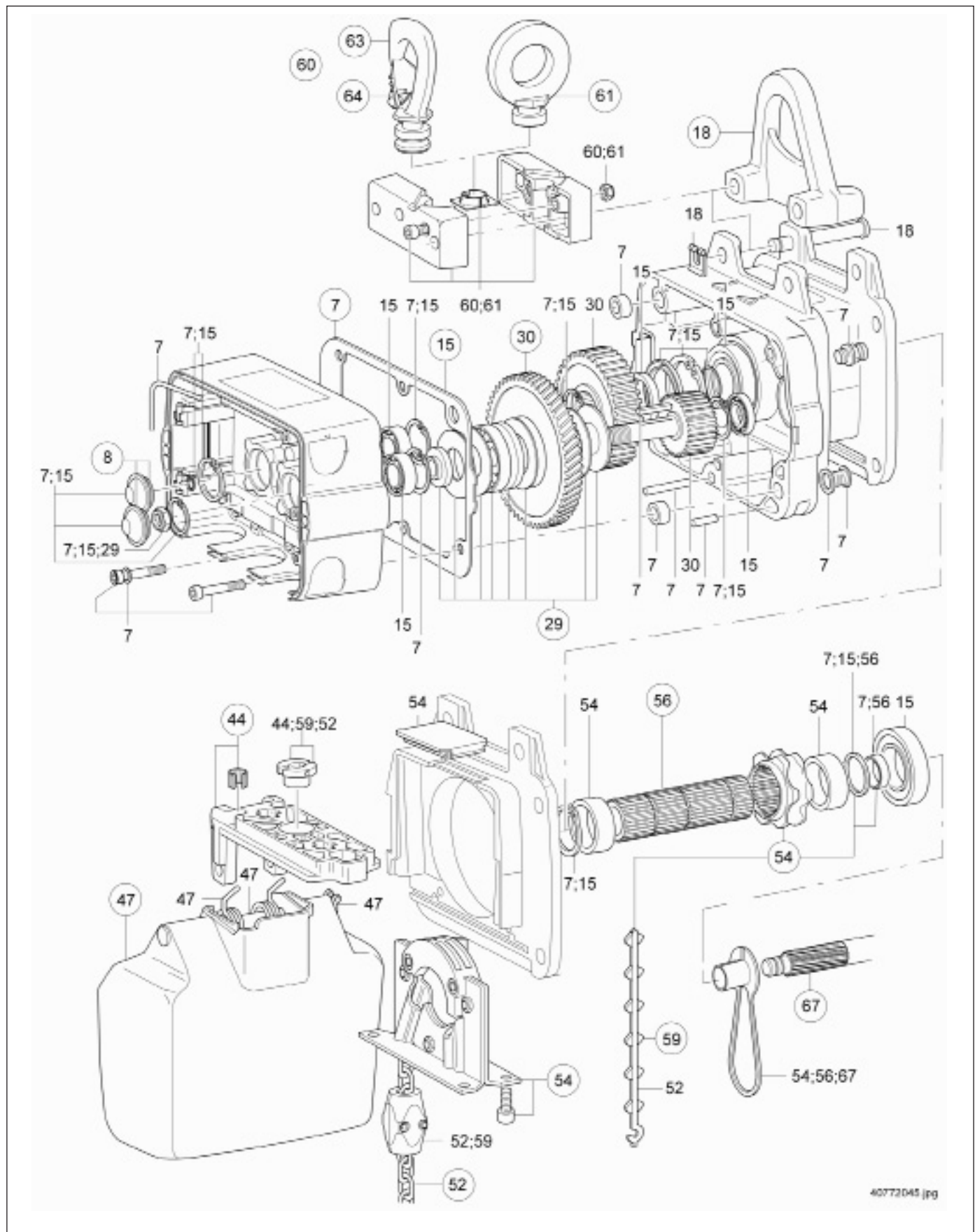
Item no.	Part no.	Quantity	Designation	Material	Standard
3	12878733	1	Small parts set KMK 80B		
4	13335633	1	Shaft gearbox set KMK 80B		
6	83531433	1	Set intermediate flange KM 80B		
8	13100384	1	Stator set KMK 80B2/12	230 V, 60Hz 1))
8	13102884	1	Stator set KMK 80B2/12	460 V, 60Hz 1)	
8	13102984	1	Stator set KMK 80B2/12	575 V, 60Hz 1)	
14	13345733	1	Rotor set KMK 80B	1)	
#	16	1	Engaging element KM 80		
21	13389533	1	Brake lining support set KM80		
25	13361333	1	End shield set, brake side KM 80		
30	13382233	1	Fan set KM 80		
34	13382033	1	Cover and fan set	c/w item 30	
38	10040984	3	Feeler gauge set	1)	

22250004.tbl

1) A feeler gauge set (part no. 38) must also be ordered to adjust the air gap (adjust with feeler gauge no. 2, part no. 38).

Helical gearbox, 2-stages

Helical gearbox, combination with corresponding motor for two hoist speeds



Helical gearbox, 2-stages

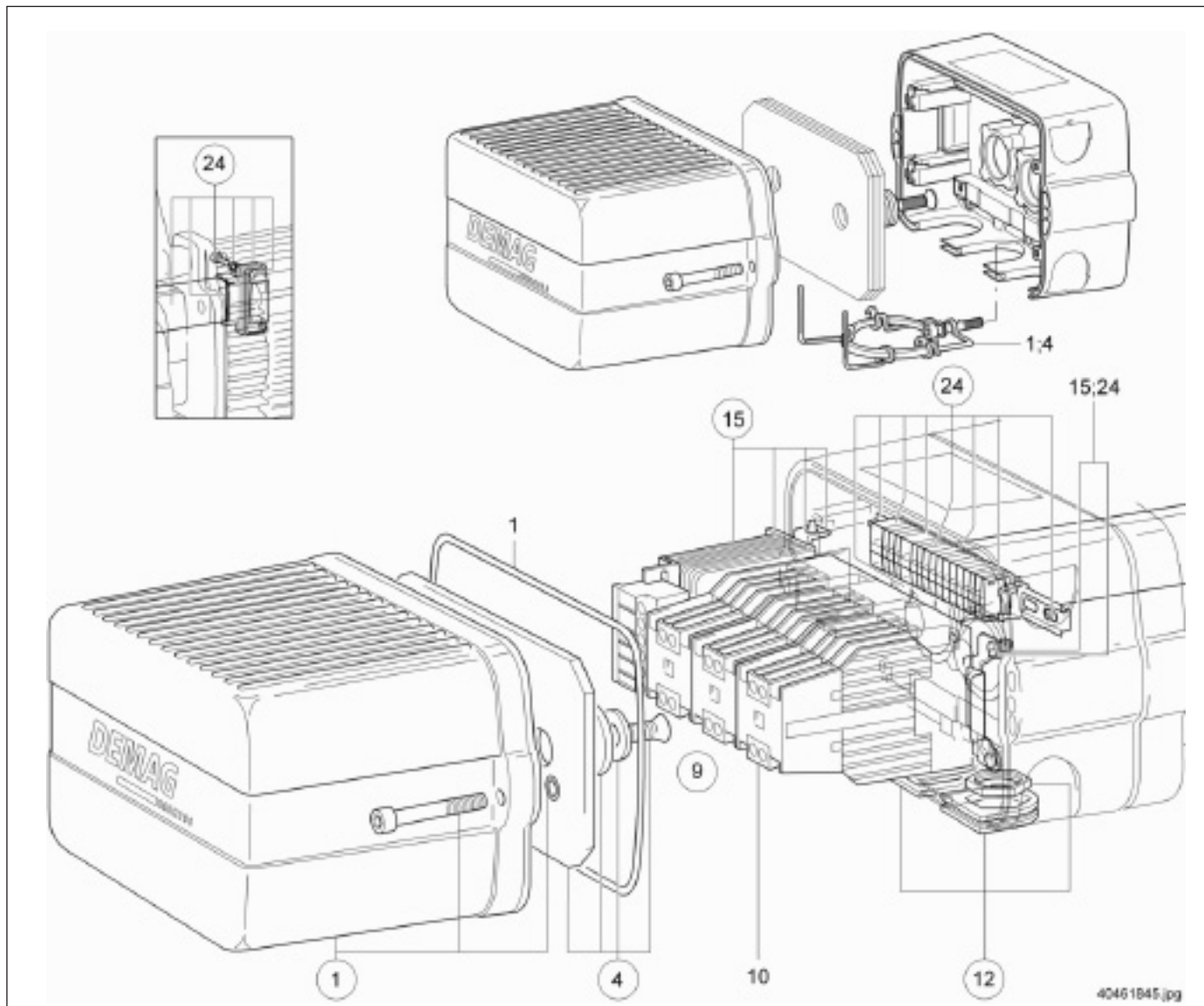
Helical gearbox, combination with corresponding motor for two hoist speeds

Item no.	Part no.	Quantity	Designation	Material	Standard
7	83513933	1	Gearbox seal set DK 2		1)
8	75225733	1	Plug with O-Ring x4		
15	83514033	1	Bearing set DK 2		
18	83571133	1	Supporting eye set, short DK 2		
18	83571333	1	Supporting eye set, long DK 2		
29	83526033	1	Coupling set DK 2		
30	83572533	1	Geared parts set for motor KMK 80 B 2/12		125, V 3, i = 16.5
			Geared parts set DK 2 V3		
30	83572633	1	Geared parts set for motor KMK 80 B 2/8		250, V 2, i = 29.7
			Geared parts set DK 2 V2		
			Geared parts set for motor KMK 80 Z 2/8		250, V 1, i = 52.2
30	83572833	1	Geared parts set DK 2 V1		
44	83529433	1	Base plate chain guide set DK2		
47	83606833	1	Chain collector box DK 1-5 size 1		
52	75227533	1	Chain set DK 2/PK 1L=3.0m (9.85 ft)		
52	75227633	1	Chain set DK 2/PK 1L=3.5m (11.48 ft)		
52	75227733	1	Chain set DK 2/PK 1L=4.0m (13.12 ft)		
52	75227833	1	Chain set DK 2/PK 1L=4.5m (14.76 ft)		
52	75227933	1	Chain set DK 2/PK 1L=5.0m (16.40 ft)		
52	75228033	1	Chain set DK 2/PK 1L=6.0m (19.68 ft)		
52	75228133	1	Chain set DK 2/PK 1L=7.0m (22.96 ft)		
52	75228233	1	Chain set DK 2/PK 1L=8.0m (26.24 ft)		
54	83537733	1	Chain guide set DK 2 size 3		
56	83536233	1	Output shaft set DK 2		
# 59	83507833	1	Pilot section set DK 2		2)
60	83562033	1	Load hook crossbeam set DK 2		c/w item 63
61	83564033	1	Eye ring transverse set DK 2		
63	83665233	1	Load hook set No. 3		
64	83665933	1	Hook safety catch set size 3 x4		
67	13335633	1	Shaft gearbox for motor KMK 80 B 2/12		125, V 3, i = 16.5
			Shaft gearbox set KMK80B		
67	13335633	1	Shaft gearbox for motor KMK 80 B 2/8		250, V 2, i = 29.7
			Shaft gearbox set KMK80B		
			Shaft gearbox for motor KMK 80 Z 2/8		250, V 1, i = 52.2
67	13335533	1	Shaft coupling set KMK		

22259101.tbl

Electrical components

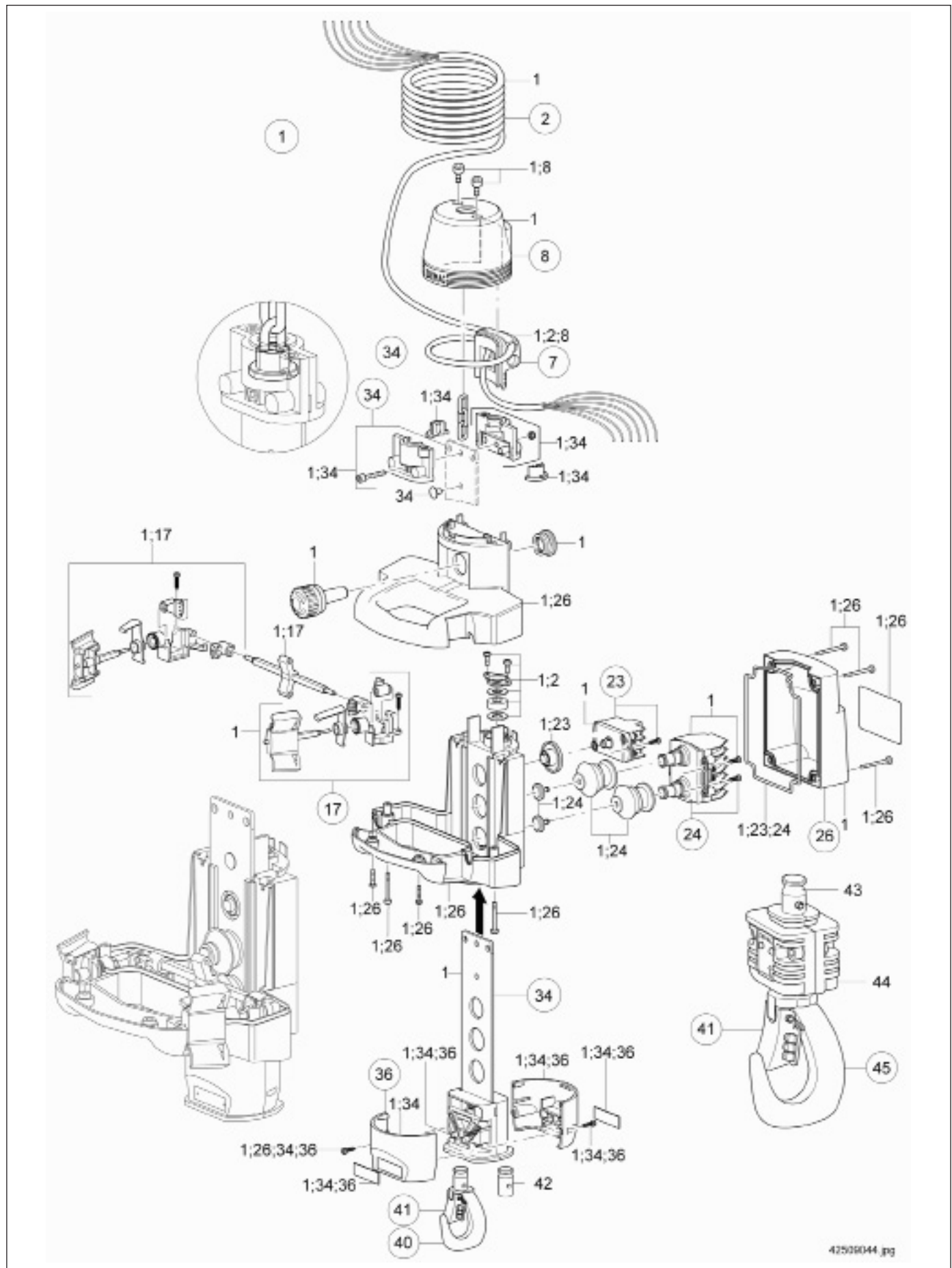
Contactor control



Item no.	Part no.	Quantity	Designation	Material	Standard
1	83512333	1	Cover set, long DK 2		
4	83512733	2	Counterweight set DK 2		
9	79083344	1	Panel board 230 + 460/115V, 60Hz		Main - creep hoist 1)
9	79085244	1	Panel board 575/115V, 60Hz		Main - creep hoist 1)
10	87535144	1	Revers Contactor 115V, 60Hz		
10	87536144	1	Pole - change contactor 115V, 60Hz		
12	83612933	1	Plug-in unit set, control		
15	89533744	1	Transformer set 36 VA 230/460/115V, 60Hz DK		
15	89533844	1	Transformer set 36 VA 575/115V, 60Hz DK		
24	89529733	1	Control set small parts DK		

22259103.tbl

DSM5 Control unit



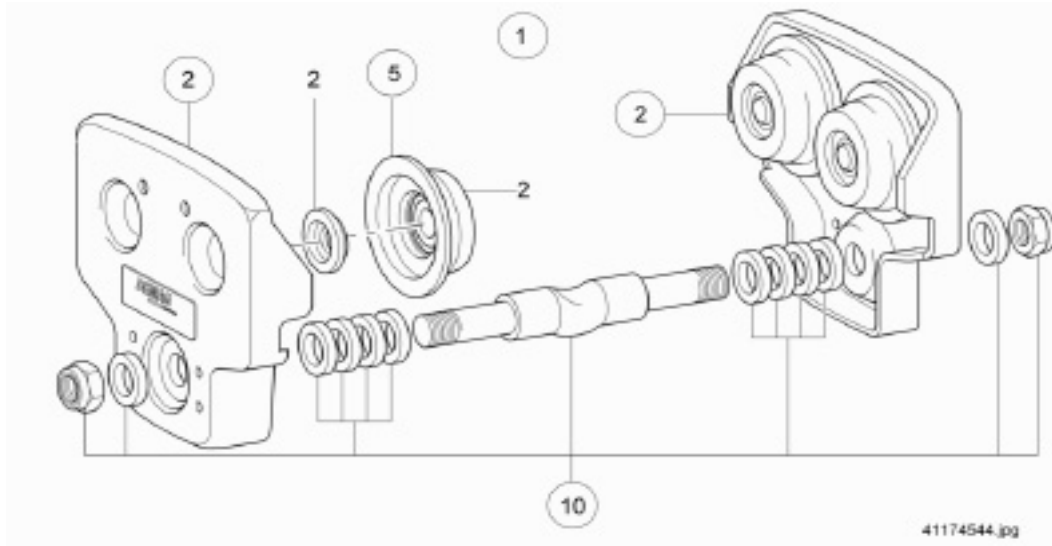
DSM5 Control unit

Item no.	Part no.	Quantity	Designation	Material	Standard
1	77205433	1	Control unit DSM5/250	DKM 2/ 2.8m (9 ft-2.25 in)	
1	83554333	1	Control unit DK-M2-250	DKM 2/ 4.3m (14 ft-1.25 in)	
2	79202244	1	Helical cable compl. 2800	DKM 2	
2	79202344	1	Helical cable compl. 4300	DKM 2	
7	77203933	1	Helical cable entry guide		
8	77206833	1	Cap set DSM 5		
17	77207533	1	Bearing DSM 5		
23	77207933	1	Switching element CBDN 30E		
24	77204533	1	Switching element CB/DSM	1)	
24	77206033	1	Block switching element DK2	DKM 2, 250/2.8	
26	77200233	1	Housing set DSM5/D-BP		
34	77207633	1	Load element 125/250		
36	77201833	1	Unlocking half		
40	83566544	1	Load hook DKDSM5 250KG	c/w item 41	
41	83565933	1	Hook safety catch set size 2		
42	83558044	1	Set coupling pin DSM5		
43	83558244	1	Coupling pin DSM5		
44	83575233	1	Hook fittings half DK 1		
45	83558444	1	Load hook DSM5 250KG	c/w items 41, 43, 44	

22259104.tbl

Standard headroom monorail hoist
 Trolley RU 3 DK
 SWL 450 kg (990 lbs)
 Flange width 50 – 90 mm (2.0 - 3.5 in)

Suitable for Demag chain hoist
 DKM 2 - 125/250, Reeving 1/1

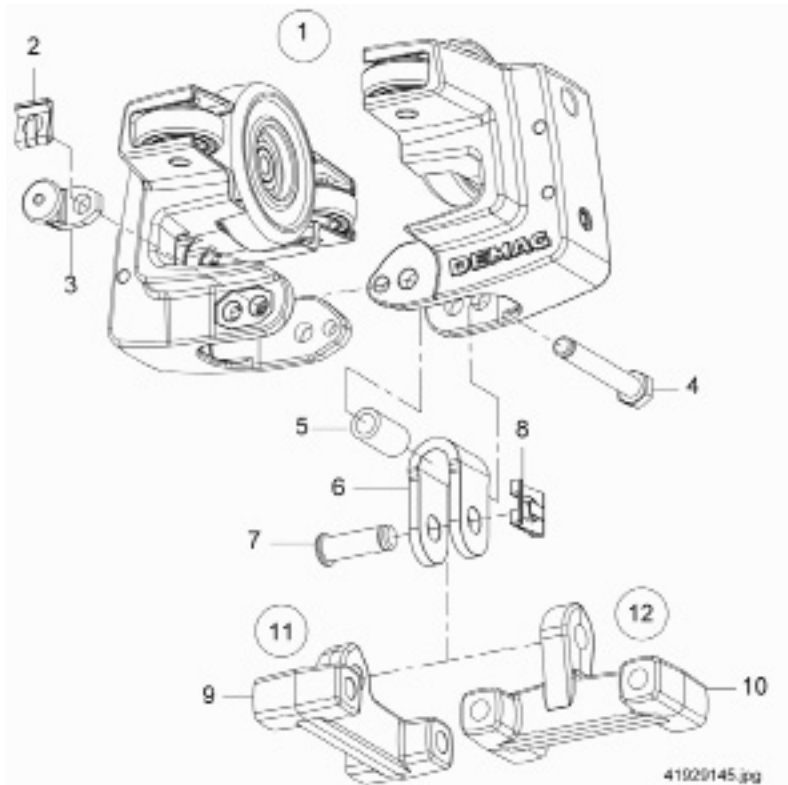


Item no.	Part no.	Quantity	Designation	Material	Standard
1	83970144	1	Trolley w/universal wheels w/crossbar RU 3		c/w items 2, 10
2	83961044	2	Side plate w/universal wheels plain		
5	83961533	1	Travel wheel set, universal plain		
10	83950344	1	Crossbar RU 3 DK		

22249519.tbl

Standard headroom monorail hoist
 CF 5 DK Click-fit trolley
 SWL 550 kg 91210 LBS)
 Flange width 55 - 143 mm (2.17 - 5.62 in)

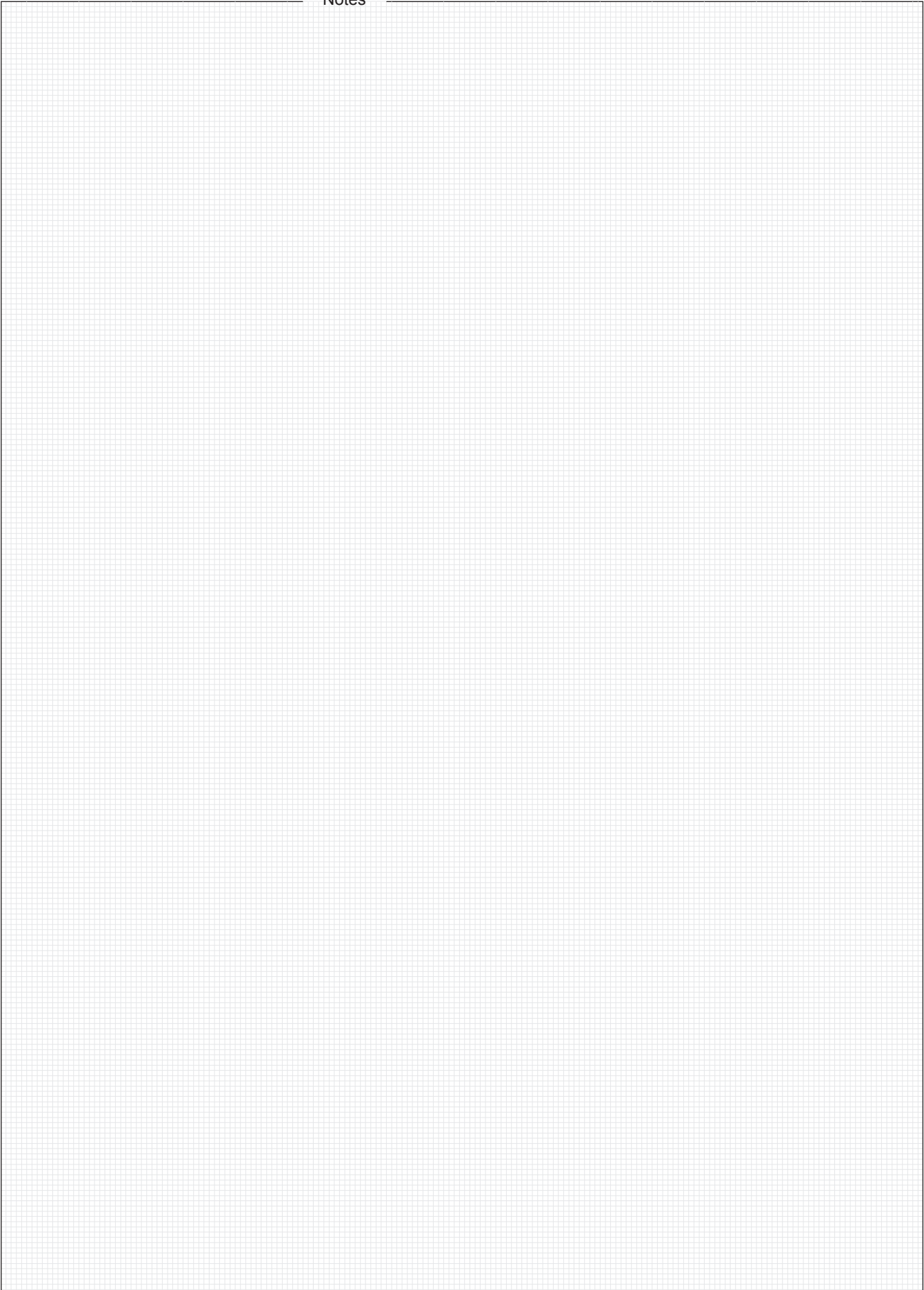
Suitable for Demag chain hoist
 DKM 2 - 125/250, Reeving 1/1



Item no.	Part no.	Quantity	Designation	Material	Standard
1	84020544	1	Click-Fit travel unit CF 5 Azurblue		c/w items 2 - 5
2	34287544	1	Securing clip SL 10 SXN08		
3	84001544	1	Fuse-element CF5		
4	84002244	1	Setbolt 10 X 64.8 grooved		
5	84002744	1	Spacer 16 X 2.8 X 29		
6	84002544	1	Bracket supporting eye CF5		
7	84002144	1	Setbolt 12h11 X 30 grooved		
8	34287644	1	Securing clip SL 12 SXN08		
9	84003444	1	Supporting eye transverse CF5DK 2		
10	84006444	1	Supporting eye parallel CF5		
11	84000244	1	Carrying eye set transverse CF5 DK 2		
12	84000544	1	Carrying eye set parallel CF5/8 DK 2		

22250015.tbl

Notes



Notes

The current addresses of the sales offices in Germany and the subsidiaries and agencies worldwide can be found on the Demag Cranes & Components homepage at www.demagcranes.com/Contact

Demag Cranes and Components GmbH

29201 Aurora Road

Cleveland, Ohio 44139

Telephone: (440) 248-2400

Fax: (440) 248-3086

Internet: <http://www.demag-us.com>