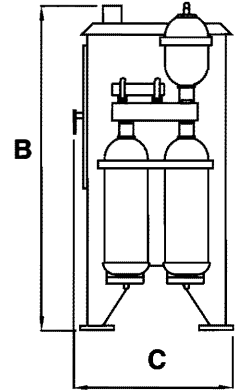
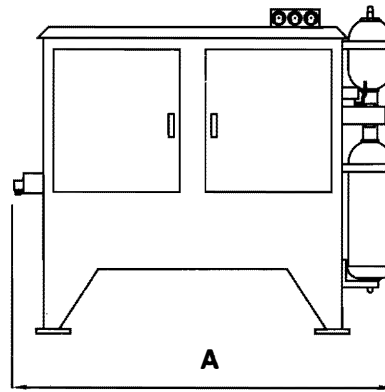
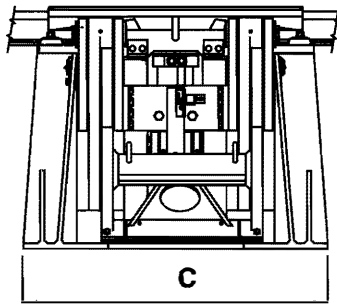
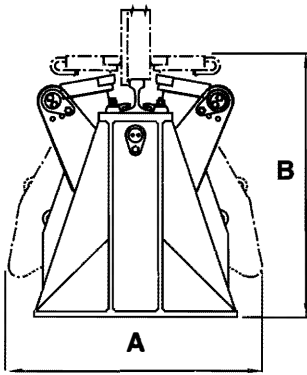


BASIC DIMENSIONS



WHEEL GRIPPER SPECIFICATIONS

MODEL	HOLDING FORCE Kip kN		DIMENSIONS in mm			WEIGHT LB Kg
			A	B	C	
WG25001	25	110	54 1372	50 1270	60 1524	8000 3630
WG12501	12.5	55	50 1270	47 1194	54 1372	6000 2722

POWER UNIT SPECIFICATIONS

MODEL	ACCUMULATOR VOLUME USG Litre		MAXIMUM FLOW USGPM LPM		DIMENSIONS in mm			WEIGHT LB Kg
	USG	Litre	USGPM	LPM	A	B	C	
HEX201	25	95	100	380	80 2032	70 1778	37 940	2500 1134
HEX101	13	50	50	190	76 1931	68 1728	27 686	2000 907

GENERAL

The Johnson Wheel Gripper System is a complete, field ready package especially adapted to quickly and reliably secure rail cars at both ends of a car dumper. Applications of this system extend to other types of track mounted equipment such as bulk material stacker reclaimers and any type of bridge, gantry or container crane.

The system's quick recycling and wheel spotting capabilities make it particularly suitable in automatic or production oriented service. Each component is individually assembled, calibrated, adjusted and shop tested to ensure trouble free installation and performance.

Specifications are for reference and estimating purposes only and may be changed without notice. Specific dimensional data is available on request. We prefer to quote each specific application to ensure the suitability of gripper and hydraulic unit selection. Special purpose systems, if not already available, may be designed to your requirements. Your enquiries will be welcomed and shall receive prompt attention.



Kor-Pak Corporation
 27864 Irma Lee Circle Unit 106
 Lake Forest, IL
 60045
 sales@kor-pak.com
 (888) 2Kor-Pak
 www.kor-pak.com